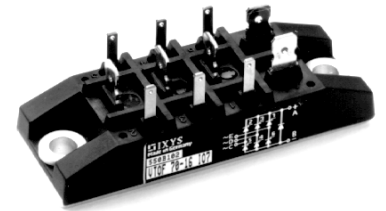
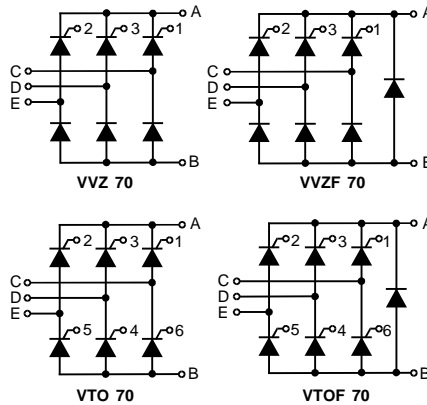


# Three Phase Rectifier Bridge

**I<sub>dAV</sub> = 70 A**  
**V<sub>RRM</sub> = 800-1600 V**

Preliminary data

V <sub>RSM</sub> V <sub>DSM</sub> V	V <sub>RRM</sub> V <sub>DRM</sub> V	Type
800	800	xxx 70-08io7
1200	1200	xxx 70-12io7
1400	1400	xxx 70-14io7
1600	1600	xxx 70-16io7
xxx = type		



Symbol	Test Conditions	Maximum Ratings	
I <sub>dAV</sub> ①	T <sub>C</sub> = 85°C, module	70	A
I <sub>dAVM</sub> ①	module	70	A
I <sub>FRMS</sub> , I <sub>TRMS</sub>	per leg	36	A
I <sub>FSM</sub> , I <sub>TSM</sub>	T <sub>VJ</sub> = 45°C; V <sub>R</sub> = 0 V	t = 10 ms (50 Hz), sine	550 A
		t = 8.3 ms (60 Hz), sine	600 A
I <sup>2</sup> t	T <sub>VJ</sub> = 45°C V <sub>R</sub> = 0 V	t = 10 ms (50 Hz), sine	1520 A <sup>2</sup> s
		t = 8.3 ms (60 Hz), sine	1520 A <sup>2</sup> s
(di/dt) <sub>cr</sub>	T <sub>VJ</sub> = 125°C f = 50 Hz, t <sub>p</sub> = 200 μs V <sub>D</sub> = 2/3 V <sub>DRM</sub> I <sub>G</sub> = 0.3 A, di <sub>G</sub> /dt = 0.3 A/μs	repetitive, I <sub>T</sub> = 50 A	150 A/μs
		non repetitive, I <sub>T</sub> = 1/2 • I <sub>dAV</sub>	500 A/μs
(dv/dt) <sub>cr</sub>	T <sub>VJ</sub> = T <sub>VJM</sub> ; V <sub>DR</sub> = 2/3 V <sub>DRM</sub> R <sub>GK</sub> = ∞; method 1 (linear voltage rise)		1000 V/μs
V <sub>RGM</sub>		10	V
P <sub>GM</sub>	T <sub>VJ</sub> = T <sub>VJM</sub> I <sub>T</sub> = I <sub>TAVM</sub>	t <sub>p</sub> = 30 μs	≤ 10 W
		t <sub>p</sub> = 500 μs	≤ 5 W
		t <sub>p</sub> = 10 ms	≤ 1 W
P <sub>GAVM</sub>		0.5	W
T <sub>VJ</sub>		-40...+125	°C
T <sub>VJM</sub>		125	°C
T <sub>stg</sub>		-40...+125	°C
V <sub>ISOL</sub>	50/60 Hz, RMS	t = 1 min	2500 V~
	I <sub>ISOL</sub> ≤ 1 mA	t = 1 s	3000 V~
M <sub>d</sub>	Mounting torque (M5) (10-32 UNF)	5 ± 15 %	Nm
		44 ± 15 %	lb.in.
Weight		50	g

## Features

- Package with copper base plate
- Isolation voltage 3000 V~
- Planar passivated chips
- Low forward voltage drop
- 1/4" fast-on power terminals

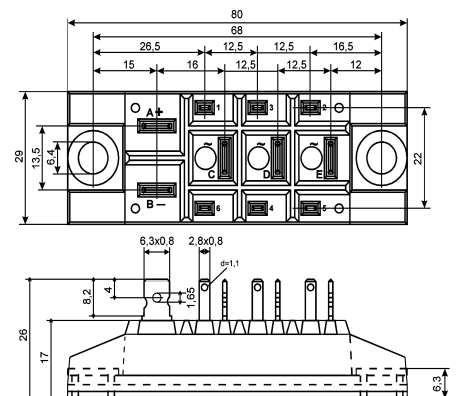
## Applications

- Supplies for DC power equipment
- Input rectifiers for PWM inverter
- Battery DC power supplies
- Field supply for DC motors

## Advantages

- Easy to mount with two screws
- Space and weight savings
- Improved temperature and power cycling capability
- Small and light weight

## Dimensions in mm (1 mm = 0.0394")



Data according to IEC 60747 refer to a single diode/thyristor unless otherwise stated

① for resistive load at bridge output. IXYS reserves the right to change limits, test conditions and dimensions.

© 2000 IXYS All rights reserved

008

Symbol	Test Conditions	Characteristic Values	
$I_D, I_R$	$T_{VJ} = T_{VJM}; V_R = V_{RRM}; V_D = V_{DRM}$	$\leq$	5 mA
$V_T$	$I_T = 80 \text{ A}; T_{VJ} = 25^\circ\text{C}$	$\leq$	1.64 V
$V_{T0}$	For power-loss calculations only		0.85 V
$r_T$			11 m $\Omega$
$V_{GT}$	$V_D = 6 \text{ V}; T_{VJ} = 25^\circ\text{C}$	$\leq$	1.5 V
	$T_{VJ} = -40^\circ\text{C}$	$\leq$	1.6 V
$I_{GT}$	$V_D = 6 \text{ V}; T_{VJ} = 25^\circ\text{C}$	$\leq$	100 mA
	$T_{VJ} = -40^\circ\text{C}$	$\leq$	200 mA
$V_{GD}$	$T_{VJ} = T_{VJM}; V_D = 2/3 V_{DRM}$	$\leq$	0.2 V
$I_{GD}$		$\leq$	5 mA
$I_L$	$T_{VJ} = 25^\circ\text{C}; t_p = 10 \mu\text{s}$ $I_G = 0.45 \text{ A}; di_G/dt = 0.45 \text{ A}/\mu\text{s}$	$\leq$	450 mA
$I_H$	$T_{VJ} = 25^\circ\text{C}; V_D = 6 \text{ V}; R_{GK} = \infty$	$\leq$	200 mA
$t_{gd}$	$T_{VJ} = 25^\circ\text{C}; V_D = 1/2 V_{DRM}$ $I_G = 0.45 \text{ A}; di_G/dt = 0.45 \text{ A}/\mu\text{s}$	$\leq$	2 $\mu\text{s}$
$t_q$	$T_{VJ} = T_{VJM}; I_T = 20 \text{ A}, t_p = 200 \mu\text{s}; di/dt = -10 \text{ A}/\mu\text{s}$ $V_R = 100 \text{ V}; dv/dt = 15 \text{ V}/\mu\text{s}; V_D = 2/3 V_{DRM}$	typ.	250 $\mu\text{s}$
$R_{thJC}$	per thyristor / Diode; DC		0.9 K/W
	per module		0.15 K/W
$R_{thJH}$	per thyristor / Diode; DC		1.1 K/W
	per module		0.157 K/W
$d_s$	Creeping distance on surface		16.1 mm
$d_A$	Creepage distance in air		7.5 mm
$a$	Max. allowable acceleration		50 m/s <sup>2</sup>