

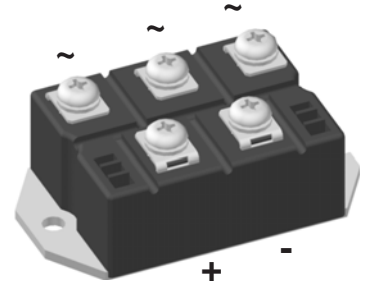
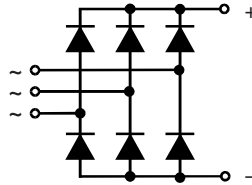
# Three Phase Rectifier Bridge

$I_{dAV} = 175 \text{ A}$   
 $V_{RRM} = 800-1800 \text{ V}$

## Preliminary data

$V_{RSM}$ V	$V_{RRM}$ V	Type
800	800	VUO 160-08NO7
1200	1200	VUO 160-12NO7
1400	1400	VUO 160-14NO7
1600	1600	VUO 160-16NO7
1800	1800	VUO 160-18NO7*

\* delivery time on request



Symbol	Test Conditions	Maximum Ratings
$I_{dAV}$	$T_C = 90^\circ\text{C}$ , module	175 A
$I_{dAV}$	$T_A = 35^\circ\text{C}$ ( $R_{thCA} = 0.2 \text{ K/W}$ ), module	139 A
$I_{FSM}$	$T_{VJ} = 45^\circ\text{C}$ ; $V_R = 0$	t = 10 ms (50 Hz), sine 1800 A
		t = 8.3 ms (60 Hz), sine 1950 A
$I^2t$	$T_{VJ} = T_{VJM}$ ; $V_R = 0$	t = 10 ms (50 Hz), sine 1600 A <sup>2</sup> s
		t = 8.3 ms (60 Hz), sine 1800 A <sup>2</sup> s
$I^2t$	$T_{VJ} = 45^\circ\text{C}$ ; $V_R = 0$	t = 10 ms (50 Hz), sine 16 200 A <sup>2</sup> s
		t = 8.3 ms (60 Hz), sine 16 200 A <sup>2</sup> s
$I^2t$	$T_{VJ} = T_{VJM}$ ; $V_R = 0$	t = 10 ms (50 Hz), sine 12 800 A <sup>2</sup> s
		t = 8.3 ms (60 Hz), sine 13 400 A <sup>2</sup> s
$T_{VJ}$		-40...+150 °C
$T_{VJM}$		150 °C
$T_{stg}$		-40...+125 °C
$V_{ISOL}$	50/60 Hz, RMS	t = 1 min 2500 V~
	$I_{ISOL} \leq 1 \text{ mA}$	t = 1 s 3000 V~
$M_d$	Mounting torque (M6)	$5 \pm 15 \%$ Nm
	Terminal connection torque (M6)	$5 \pm 15 \%$ Nm
Weight	typ.	270 g

## Features

- Package with screw terminals
- Isolation voltage 3000 V~
- Planar passivated chips
- Blocking voltage up to 1800 V
- Low forward voltage drop
- UL registered E72873

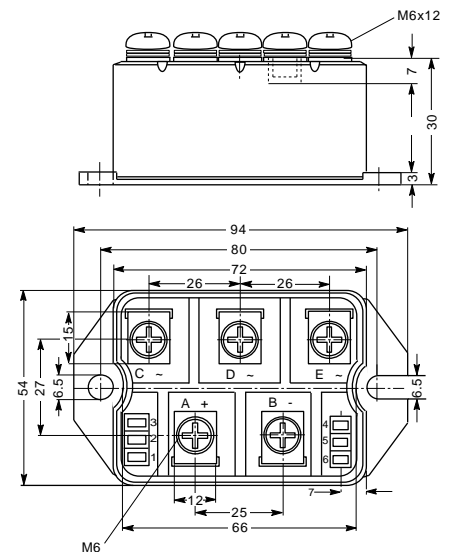
## Applications

- Supplies for DC power equipment
- Input rectifiers for PWM inverter
- Battery DC power supplies
- Field supply for DC motors

## Advantages

- Easy to mount with two screws
- Space and weight savings
- Improved temperature and power cycling

## Dimensions in mm (1 mm = 0.0394")



Symbol	Test Conditions	Characteristic Values
$I_R$	$V_R = V_{RRM}$ ; $T_{VJ} = 25^\circ\text{C}$	$\leq 0.3 \text{ mA}$
	$V_R = V_{RRM}$ ; $T_{VJ} = T_{VJM}$	$\leq 5 \text{ mA}$
$V_F$	$I_F = 300 \text{ A}$ ; $T_{VJ} = 25^\circ\text{C}$	$\leq 1.65 \text{ V}$
$V_{T0}$	For power-loss calculations only	0.8 V
$r_T$		3 mΩ
$R_{thJC}$	per diode	0.65 K/W
	per module	0.108 K/W
$R_{thJH}$	per diode	0.83 K/W
	per module	0.138 K/W
$d_S$	Creeping distance on surface	10 mm
$d_A$	Creepage distance in air	9.4 mm
$a$	Max. allowable acceleration	50 m/s <sup>2</sup>

Data according to IEC 60747 and refer to a single diode unless otherwise stated.

IXYS reserves the right to change limits, test conditions and dimensions.

20080227a