

Three Phase Rectifier Bridge

with IGBT and Fast Recovery Diode
for Braking System

Rectifier Diode	Fast Recov. Diode	IGBT
$V_{RRM} = 1200\text{ V}$ 1600 V	$V_{CES} = 1200\text{ V}$	$V_{CES} = 1200\text{ V}$
$I_{DAVM} = 188\text{ A}$	$V_F = 2.7\text{ V}$	$I_{C80} = 125\text{ A}$
$I_{FSM} = 1100\text{ A}$	$I_{FSM} = 200\text{ A}$	$V_{CEsat} = 2.2\text{ V}$

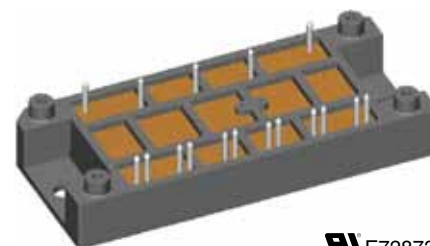
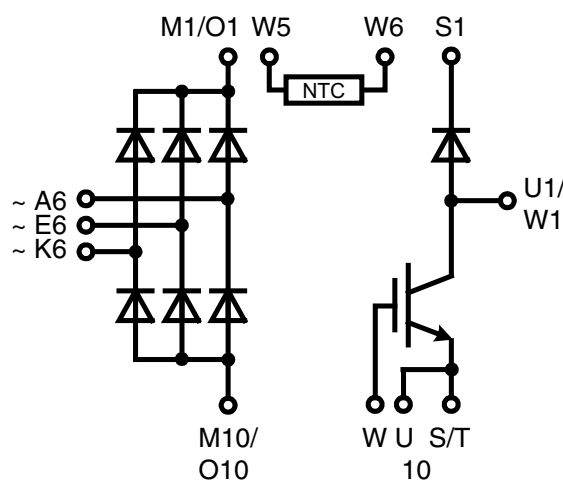
Preliminary data

Part name (Marking on product)

VUB160-12NO2(T)

VUB160-16NO2(T)

(T) = NTC optional



E72873

Pin configuration see outlines.

Features:

- Soldering connections for PCB mounting
- Isolation voltage 3600 V~
- Ultrafast diode
- Convenient package outline
- Optional NTC

Application:

- Drive Inverters with brake system

Package:

- Two functions in one package
- Easy to mount with two screws
- Suitable for wave soldering
- High temperature and power cycling capability
- UL registered, E72873

IGBT						
Symbol	Definitions	Conditions	Ratings			
			min.	typ.	max.	Unit
V_{CES}	collector emitter voltage		$T_{VJ} = 25^{\circ}\text{C}$ to 150°C		1200	V
V_{GES}	max. DC gate voltage	continuous	-20		+20	V
V_{GEM}	max. transient collector gate voltage	transient	-30		+30	V
I_{C25}	collector current	DC		$T_C = 25^{\circ}\text{C}$	177	A
I_{C80}		DC		$T_C = 80^{\circ}\text{C}$	125	A
P_{tot}	total power dissipation			$T_C = 25^{\circ}\text{C}$	690	W
$V_{CE(sat)}$	collector emitter saturation voltage	$I_C = 75\text{ A}; V_{GE} = 15\text{ V}$		$T_{VJ} = 25^{\circ}\text{C}$	2.2	V
$V_{GE(th)}$	gate emitter threshold voltage	$I_C = 4\text{ mA}; V_{GE} = V_{CE}$	4.5	$T_{VJ} = 25^{\circ}\text{C}$	6.5	V
I_{CES}	collector emitter leakage current	$V_{CE} = V_{CES}; V_{GE} = 0\text{ V}$		$T_{VJ} = 25^{\circ}\text{C}$ $T_{VJ} = 125^{\circ}\text{C}$	0.2 1	mA mA
C_{ies}	input capacitance	$V_{CE} = 25\text{ V}; V_{GE} = 0\text{ V}; f = 1\text{ MHz}$			7.4	nF
$t_{d(on)}$	turn-on delay time	inductive load $V_{CE} = 600\text{ V}; I_C = 75\text{ A}$ $V_{GE} = \pm 15\text{ V}; R_G = 10\ \Omega; L = 100\ \mu\text{H}$	$T_{VJ} = 125^{\circ}\text{C}$		330	ns
$t_{d(off)}$	turn-off delay time		750	ns		
E_{on}	turn-on energy per pulse		12	mJ		
E_{off}	turn-off energy per pulse		10	mJ		
I_{CM}	reverse bias safe operating area	RBSOA; $V_{GE} = \pm 15\text{ V}; R_G = 10\ \Omega; L = 100\ \mu\text{H}$	$T_{VJ} = 125^{\circ}\text{C}$		350	A
V_{CEK}		clamped inductive load;	$\leq V_{CES} - L_S \cdot di/dt$			V
t_{SC} (SCSOA)	short circuit safe operating area	$V_{CE} = 900\text{ V}; V_{GE} = \pm 15\text{ V};$ $R_G = 10\ \Omega; \text{non-repetitive}$	$T_{VJ} = 125^{\circ}\text{C}$		10	μs
RBSOA	reverse bias safe operating area	$V_{CE} = 1200\text{ V}; V_{GE} = \pm 15\text{ V};$ $R_G = 10\ \Omega; L = 100\ \mu\text{H}; \text{clamped inductive load}$	$T_{VJ} = 125^{\circ}\text{C}$		200	A
R_{thJC}	thermal resistance junction to case				0.18	K/W
R_{thCH}	thermal resistance case to heatsink				0.1	K/W

Fast Recovery Diode							
Symbol	Definitions	Conditions	Ratings				
			min.	typ.	max.	Unit	
V_{RRM}	max. repetitive reverse voltage		$T_{VJ} = 150^{\circ}\text{C}$		1200	V	
I_{FAV}	average forward current	rect.; $d = 0.5$	$T_C = 80^{\circ}\text{C}$		34	A	
I_{FRMS}	rms forward current	rect.; $d = 0.5$	$T_C = 80^{\circ}\text{C}$		48	A	
I_{FSM}	max. surge forward current	$t = 10\text{ ms}$	$T_{VJ} = 45^{\circ}\text{C}$		200	A	
		$t = 10\text{ ms}$	$T_{VJ} = 150^{\circ}\text{C}$		180	A	
P_{tot}	total power dissipation		$T_C = 25^{\circ}\text{C}$		140	W	
V_{F0}	threshold voltage		$T_{VJ} = 150^{\circ}\text{C}$		1.3	V	
r_F	slope resistance	for power loss calculation only			15	$\text{m}\Omega$	
V_F	forward voltage	$I_F = 30\text{ A}$	$T_{VJ} = 25^{\circ}\text{C}$		2.7	V	
I_R	reverse current	$V_R = V_{RRM}$	$T_{VJ} = 25^{\circ}\text{C}$ $T_{VJ} = 125^{\circ}\text{C}$		0.5 1	mA mA	
I_{RM}	reverse recovery current	$I_F = 50\text{ A}; V_R = 100\text{ V}; di_F/dt = -100\text{ A}/\mu\text{s}$			8	12	A
t_{rr}	reverse recovery time	$I_F = 1\text{ A}; V_R = 30\text{ V}; di_F/dt = -100\text{ A}/\mu\text{s}$			40	60	ns
R_{thJC}	thermal resistance junction to case				0.9	K/W	
R_{thCH}	thermal resistance case to heatsink				0.3	K/W	

 $T_C = 25^{\circ}\text{C}$ unless otherwise stated

Rectifier Diode

Symbol	Conditions	Ratings			Unit
		min.	typ.	max.	
V_{RRM}	max. repetitive reverse voltage			1200 1600	V V
I_R	reverse current	$V_R = V_{RRM}$	$T_{VJ} = 25^\circ\text{C}$ $T_{VJ} = 150^\circ\text{C}$	0.3 5	mA mA
V_F	forward voltage	$I_F = 150\text{ A}$	$T_{VJ} = 25^\circ\text{C}$	1.46	V
$I_{D(AV)M}$	max. average DC output current	rectangular; $d = 1/3$; bridge	$T_C = 80^\circ\text{C}$	188	A
V_{F0}	threshold voltage		$T_{VJ} = 150^\circ\text{C}$	0.87	V
r_F	slope resistance	for power loss calculation only		4	m Ω
R_{thJC}	thermal resistance junction to case	per diode	$T_{VJ} = 25^\circ\text{C}$	0.6	K/W
R_{thCH}	thermal resistance case to heatsink		$T_{VJ} = 25^\circ\text{C}$	0.2	K/W
P_{tot}	total power dissipation		$T_{VJ} = 25^\circ\text{C}$	160	W
I_{FSM}	max. forward surge current	$t = 10\text{ ms (50Hz)}$ $V_R = 0\text{ V}$	$T_{VJ} = 45^\circ\text{C}$ $T_{VJ} = 150^\circ\text{C}$	1100 960	A A
I^2t	value for fusing	$t = 10\text{ ms (50Hz)}$ $V_R = 0\text{ V}$	$T_{VJ} = 45^\circ\text{C}$ $T_{VJ} = 150^\circ\text{C}$	6050 4610	A ² s A ² s

Temperature Sensor NTC

Symbol	Definitions	Conditions	Ratings			Unit	
			min.	typ.	max.		
R_{25}	resistance		$T_C = 25^\circ\text{C}$	4.75	5.0	5.25	k Ω
$B_{25/85}$					3375		K

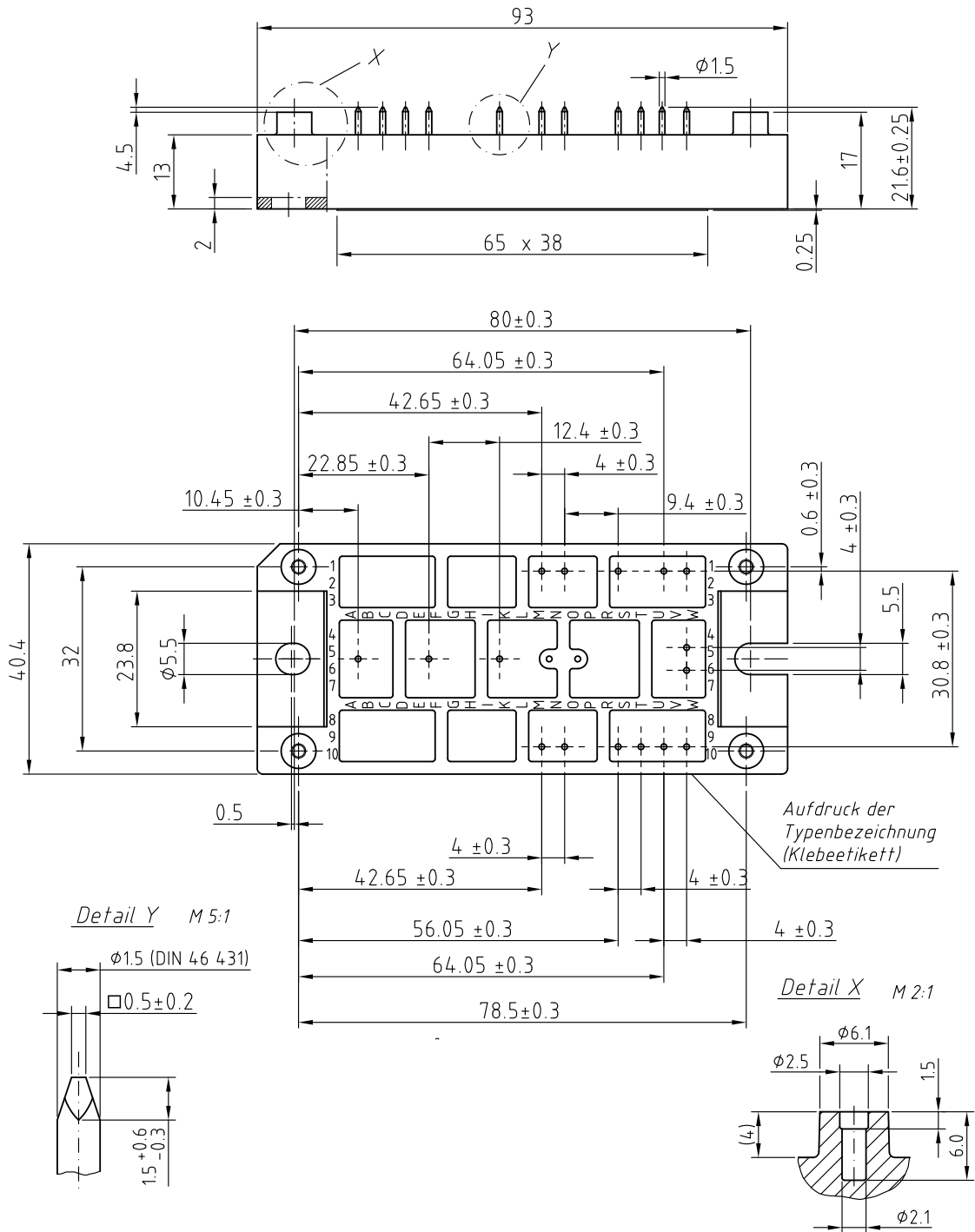
Module

Symbol	Definitions	Conditions	Ratings			Unit
			min.	typ.	max.	
T_{VJ}	operating temperature		-40		150	$^\circ\text{C}$
T_{VJM}	max. virtual junction temperature				150	$^\circ\text{C}$
T_{stg}	storage temperature		-40		125	$^\circ\text{C}$
V_{ISOL}	isolation voltage	$I_{ISOL} \leq 1\text{ mA}; 50/60\text{ Hz};$			3000 3600	V~ V~
M_d	mounting torque	(M5)	2.0		2.5	Nm
d_s	creep distance on surface		12.7			mm
d_A	strike distance through air		9.4			mm
a	maximum allowable acceleration		50			m/s ²
Weight				80		g

 $T_C = 25^\circ\text{C}$ unless otherwise stated

Outline Drawing

Dimensions in mm (1 mm = 0.0394")



Product Marking

Ordering	Part Name	Marking on Product	Delivering Mode	Base Qty	Ordering Code
Standard	VUB 160-12NO2	VUB160-12NO2	Box	6	495972
Standard	VUB 160-16NO2	VUB160-16NO2	Box	6	495980
+NTC	VUB 160-12NO2T	VUB160-12NO2	Box	6	499706
+NTC	VUB 160-16NO2T	VUB160-16NO2	Box	6	499722