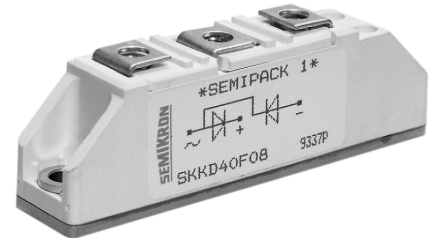


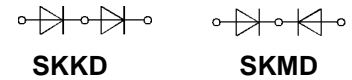
V _{RSM} V _{R RM}	I _{F RMS} (maximum values for continuous operation)	
	110 A	110 A
V	I _{F AV} (sin. 180; T _{case} = 80 °C; 50 Hz)	
	40 A	40 A
400	SKKD 40 F 04	SKMD 40 F 04
600	SKKD 40 F 06	SKMD 40 F 06
800	SKKD 40 F 08	SKMD 40 F 08
1000	SKKD 40 F 10	SKMD 40 F 10

SEMIPACK® 1 Fast Diode Modules

SKKD 40 F SKMD 40 F



Symbol	Conditions	SKKD 40 F SKMD 40 F
I _{F AV}	sin. 180; T _{case} = 85 °C	36 A
I _{F SM}	T _{vj} = 25 °C; 10 ms	1100 A
	T _{vj} = 125 °C; 10 ms	940 A
i ² t	T _{vj} = 25 °C; 8,3 ... 10 ms	6000 A ² s
	T _{vj} = 125 °C; 8,3 ... 10 ms	4400 A ² s
t _{rr}	T _{vj} = 25 °C; I _F = 1 A; - di _F /dt = 15 A/μs; V _R = 30 V	200 ns
Q _{rr}	T _{vj} = 125 °C; I _F = 100 A; - di _F /dt = 30 A/μs; V _R = 30 V	3 μC
		10 A
I _R	T _{vj} = 25 °C; V _R = V _{R RM}	0,5 mA
	T _{vj} = 125 °C; V _R = V _{R RM}	50 mA
V _F	T _{vj} = 25 °C; I _F = 150 A	2,0 V
V _(TO)	T _{vj} = 125 °C	1,2 V
r _T	T _{vj} = 125 °C	4 mΩ
R _{thjc}	} per diode/per module	0,7 °C/W/0,35 °C/W
R _{thch}		0,2 °C/W/0,1 °C/W
T _{vj}		- 40 ... +125 °C
T _{stg}		- 40 ... +125 °C
V _{isol}	a. c. 50 Hz; r.m.s.; 1 s/1 min.	3600 V~/3000 V~
M ₁	Case to heatsink } SI units/ Busbars to terminals } US units	5 Nm/44 lb. in ± 15 %
M ₂		3 Nm/26 lb. in. ± 15 %
w	approx.	120 g
Case	→ page B 2 – 6	SKKD A 10 SKMD A 11



Features

- Heat transfer through ceramic isolated metal baseplate
- Hard soldered joints for high reliability
- **SKKD** half bridge connection
- **SKMD** center tap connection, common cathode
- UL recognized, file no. E 63 532

Typical Applications

- Self-commutated inverters
- DC choppers
- AC motor speed control
- Inductive heating
- Uninterruptible power supplies
- Electronic welders
- General power switching applications

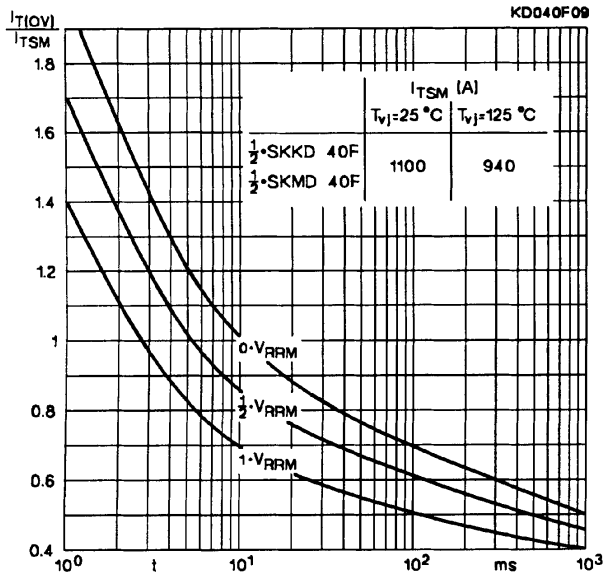


Fig. 20 Surge overload current vs. time

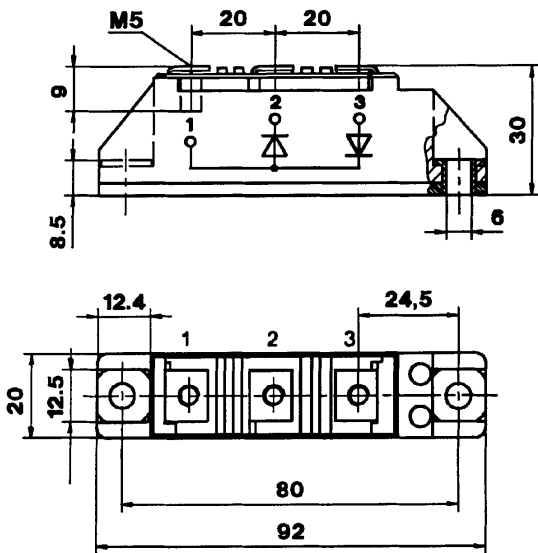
SKKD 40 F, 42 F

Case A 10

IEC 192-2: A 77 A
JEDEC: TO-240 AA

SEMIPACK 1®

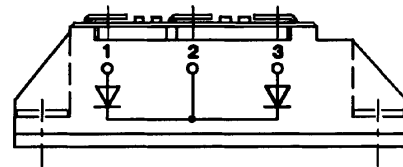
UL recognized, file no. E 63 532



Dimensions in mm

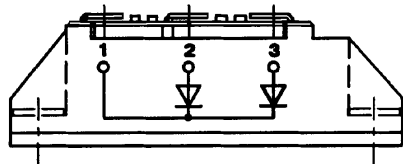
SKMD 40 F

Case A11



SKMD 42 F

Case A 33



SKND 42 F

Case A 37

