

# THYRISTOR MODULE

# PDT20116 PDH20116

200A / 1600V

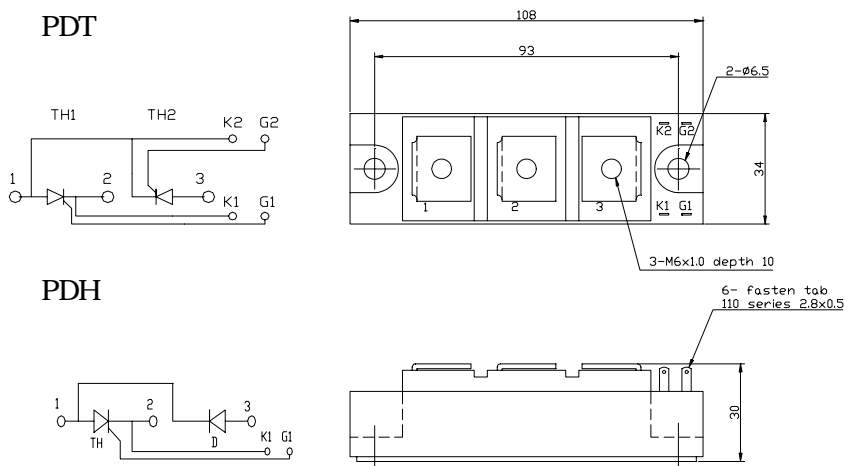
## OUTLINE DRAWING

### FEATURES

- \* 108mm Short Size Case
- \* Isolated Base
- \* Dual Thyristors or Thyristor and Diode Cascaded Circuit
- \* High Surge Capability
- \* UL Recognized, File No. E187184

### TYPICAL APPLICATIONS

- \* AC phase control



### Maximum Ratings

Approx Net Weight:280g

Parameter	Symbol	Grade	Unit
		PDT/PDH20116	
Repetitive Peak Off-State Voltage	$V_{DRM}$	1600	V
Non Repetitive Peak Off-State Voltage	$V_{DSM}$	1700	
Repetitive Peak Reverse Voltage	$V_{RRM}$	1600	V
Non Repetitive Peak Reverse Voltage	$V_{RSM}$	1700	

Parameter	Symbol	Conditions	Max Rated Value	Unit
Average Rectified Output Current	$I_{O(AV)}$	50Hz Half Sine Wave condition $T_c=71^\circ C$	200	A
RMS On-State Current	$I_{T(RMS)}$		314	A
Surge Forward Current	$I_{FSM}$	50 Hz Half Sine Wave, 1cycle Non-Repetitive	4000	A
I Squared t	$I^2t$	2msec to 10msec	80000	$A^2s$
Critical Rate of Turned-On Current	di/dt	$V_D=2/3V_{DRM}$ , $I_{TM}=2 \cdot I_O$ , $T_j=125^\circ C$ $I_G=300mA$ , $di_G/dt=0.2A/\mu s$	100	$A/\mu s$
Peak Gate Power	$P_{GM}$		5	W
Average Gate Power	$P_{G(AV)}$		1	W
Peak Gate Current	$I_{GM}$		2	A
Peak Gate Voltage	$V_{GM}$		10	V
Peak Gate Reverse Voltage	$V_{RGM}$		5	V
Operating Junction Temperature Range	$T_{jw}$		-40 to +125	$^\circ C$
Storage Temperature Range	$T_{stg}$		-40 to +125	$^\circ C$
Isolation Voltage	Viso	Base Plate to Terminals, AC1min	2500	V
Mounting torque	Case mounting	Ftor	M6 Screw	N.m
	Terminals		M6 Screw	

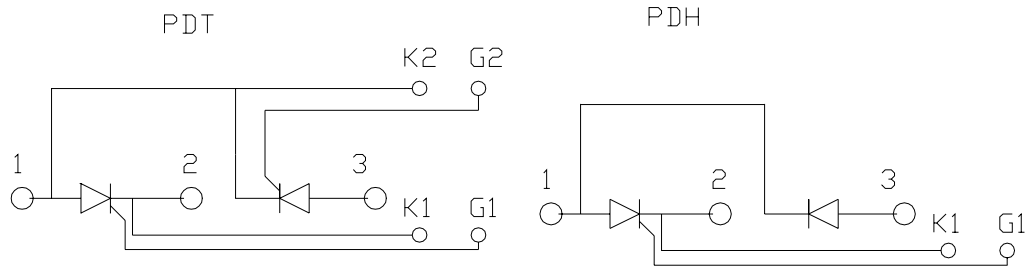
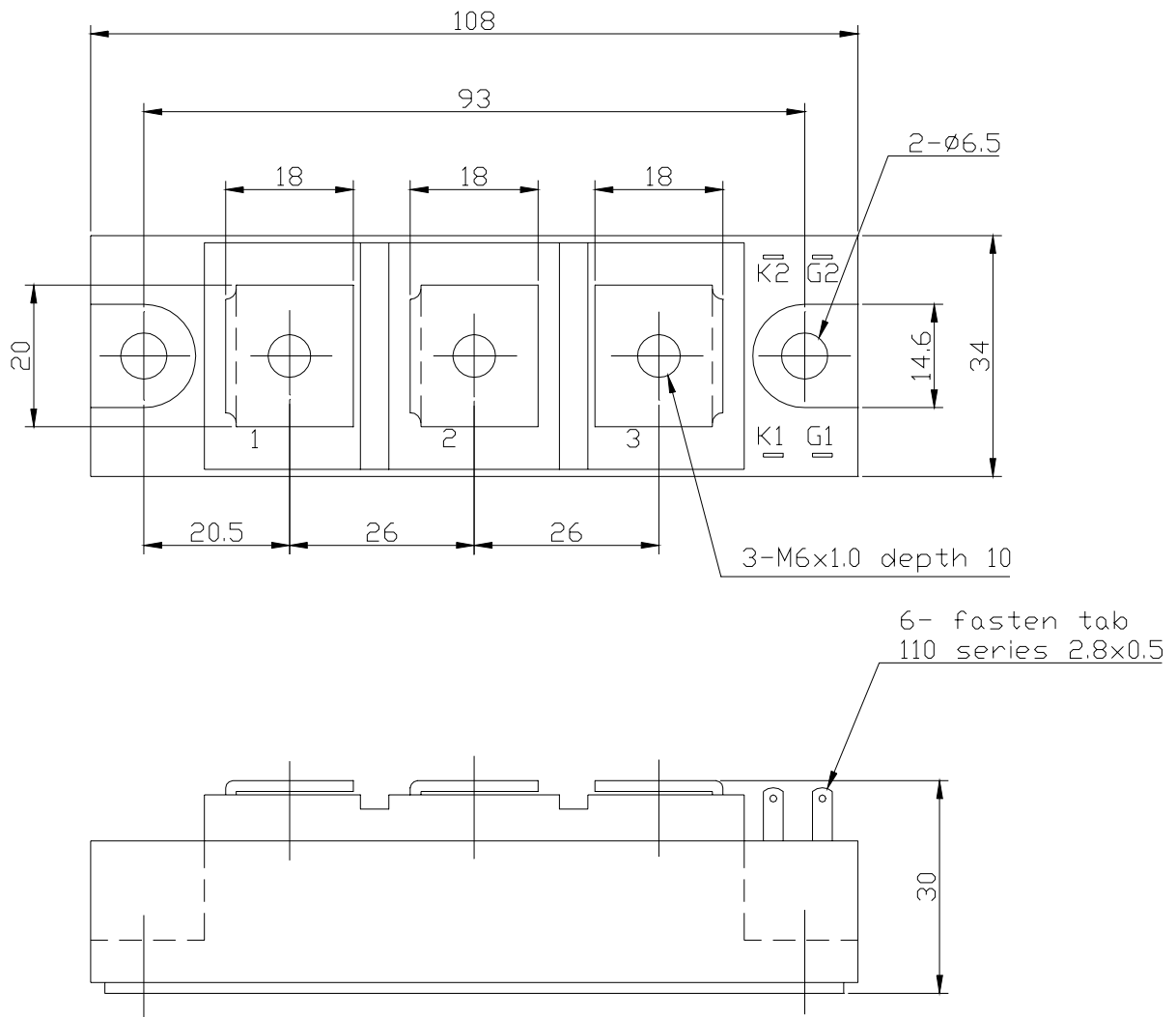
Value per 1 Arm

**Electrical • Thermal Characteristics**

Characteristics	Symbol	Test Conditions	Maximum Value.			Unit
			Min.	Typ.	Max.	
Peak Off-State Current	$I_{DM}$	$V_{DM} = V_{DRM}, T_j = 125^\circ\text{C}$			80	mA
Peak Reverse Current	$I_{RM}$	$V_{RM} = V_{RRM}, T_j = 125^\circ\text{C}$			80	mA
Peak On-State Voltage	$V_{TM}$	$I_{TM} = 600\text{A}, T_j = 25^\circ\text{C}$			1.4	V
Gate Current to Trigger	$I_{GT}$	$V_D = 6\text{V}, I_T = 1\text{A}$	$T_j = -40^\circ\text{C}$		300	mA
			$T_j = 25^\circ\text{C}$		150	
			$T_j = 125^\circ\text{C}$		80	
Gate Voltage to Trigger	$V_{GT}$	$V_D = 6\text{V}, I_T = 1\text{A}$	$T_j = -40^\circ\text{C}$		5	V
			$T_j = 25^\circ\text{C}$		3	
			$T_j = 125^\circ\text{C}$		2	
Gate Non-Trigger Voltage	$V_{GD}$	$V_D = 2/3V_{DRM}, T_j = 125^\circ\text{C}$	0.25			V
Critical Rate of Rise of Off-State Voltage	dv/dt	$V_D = 2/3V_{DRM}, T_j = 125^\circ\text{C}$	500			V/ $\mu\text{s}$
Turn-Off Time	tq	$I_{TM} = I_O, V_D = 2/3V_{DRM}$ $dv/dt = 20\text{V}/\mu\text{s}, V_R = 100\text{V}$ $-di/dt = 20\text{A}/\mu\text{s}, T_j = 125^\circ\text{C}$		100		$\mu\text{s}$
Turn-On Time	tgt	$T_j = 25^\circ\text{C}, I_{TM} = I_{T(RMS)}$		6		$\mu\text{s}$
Delay Time	td	$V_D = 2/3V_{DRM}, I_G = 300\text{mA}$		2		$\mu\text{s}$
Rise Time	tr	$di_G/dt = 0.2\text{A}/\mu\text{s}$		4		$\mu\text{s}$
Latching Current	$I_L$	$T_j = 25^\circ\text{C}$		100		mA
Holding Current	$I_H$	$T_j = 25^\circ\text{C}$		60		
Thermal Resistance	Rth(j-c)	Junction to Case			0.2	$^\circ\text{C}/\text{W}$
	Rth(c-f)	Base Plate to Heat Sink with Thermal Compound			0.1	

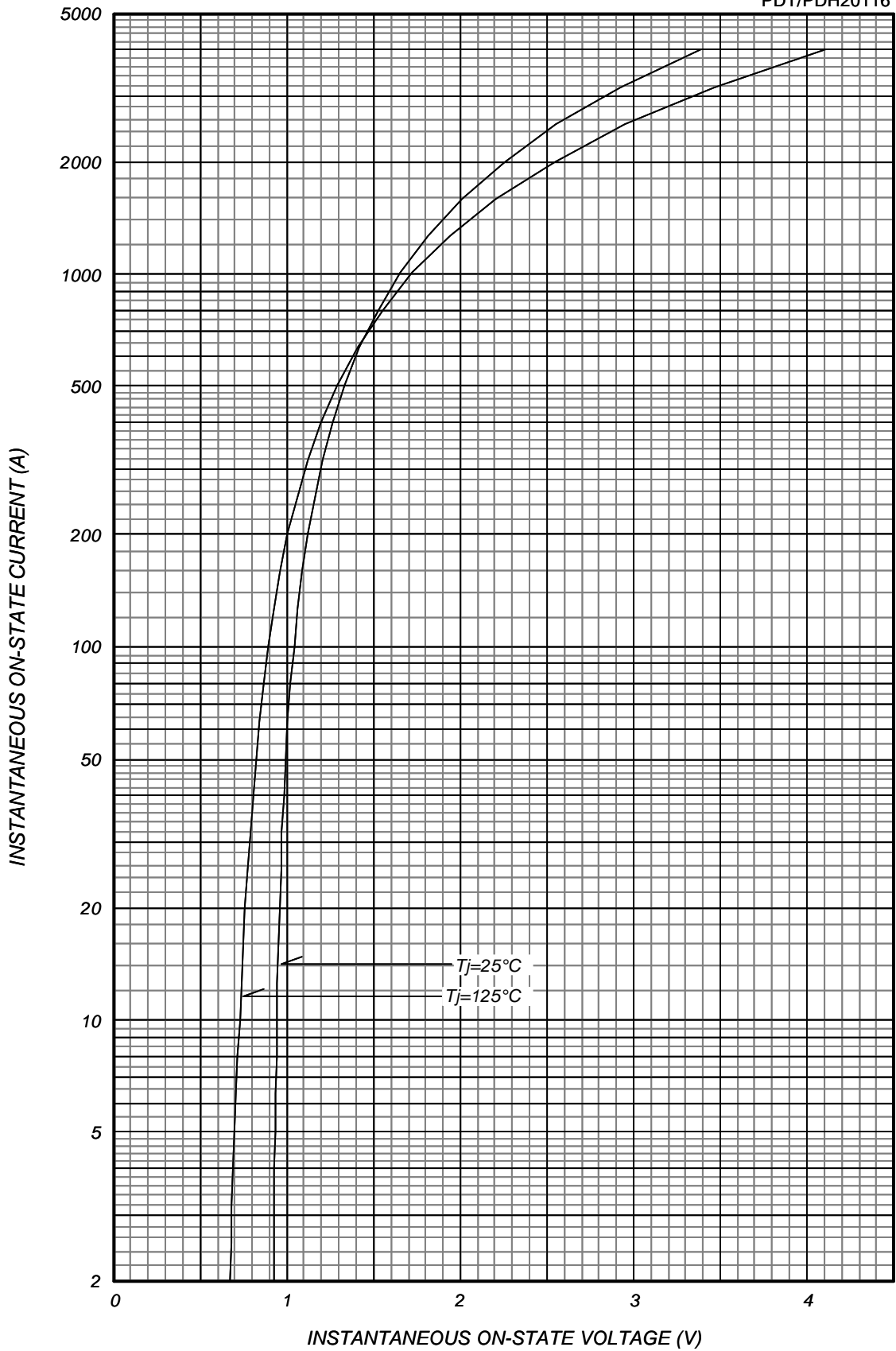
Value Per 1Arm

PDT/PDH20116 OUTLINE DRAWING (Dimensions in mm)



# ON-STATE CURRENT VS. VOLTAGE

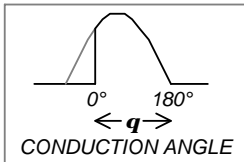
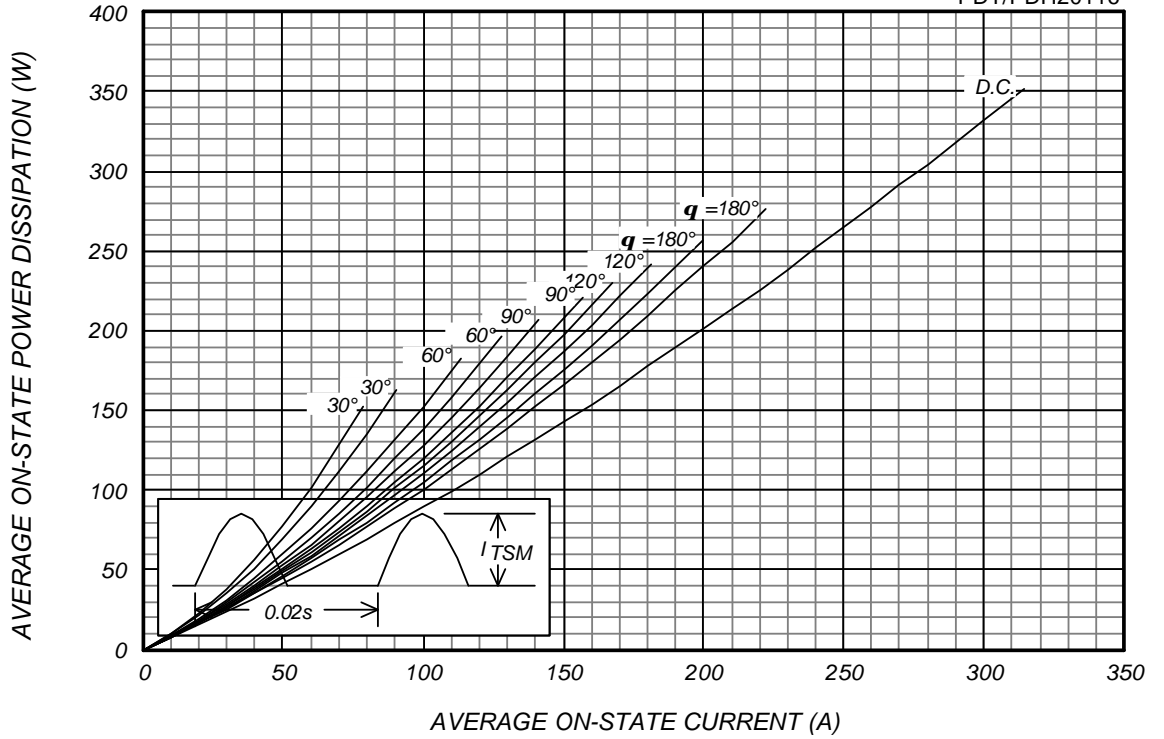
PDT/PDH20116



## AVERAGE ON-STATE POWER DISSIPATION

for

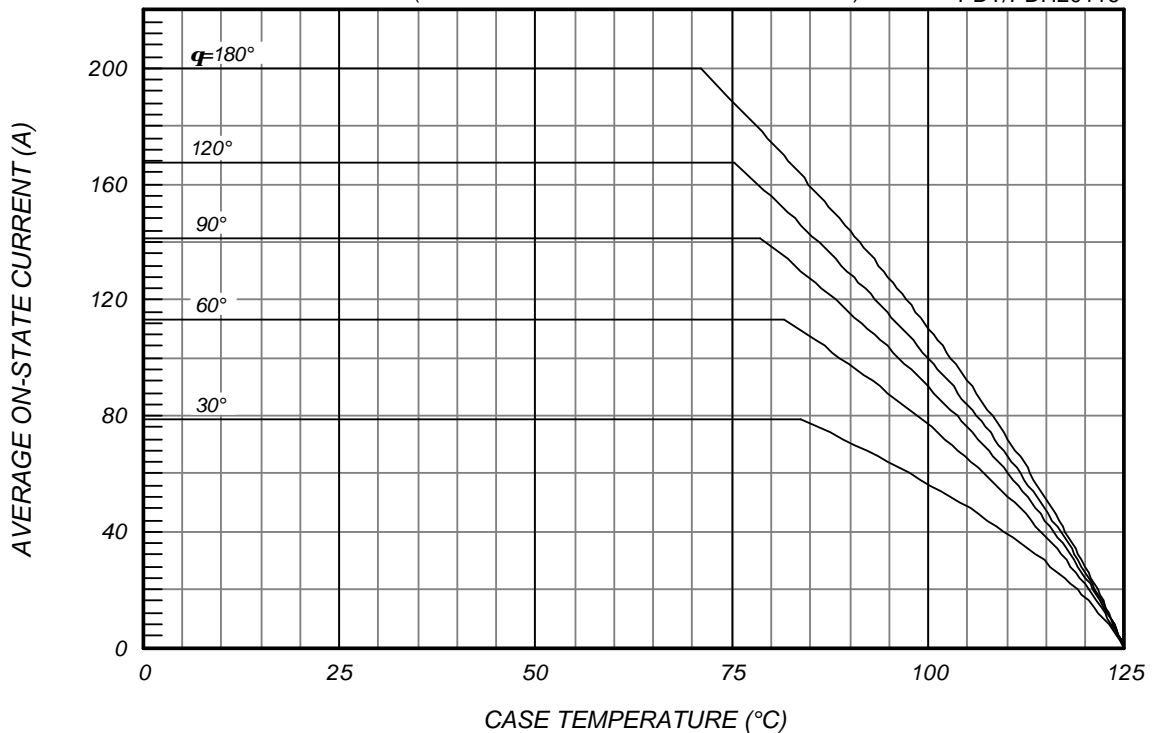
PDT/PDH20116

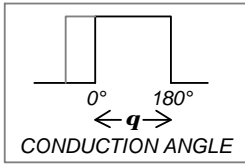


## AVERAGE ON-STATE CURRENT VS. CASE TEMPERATURE

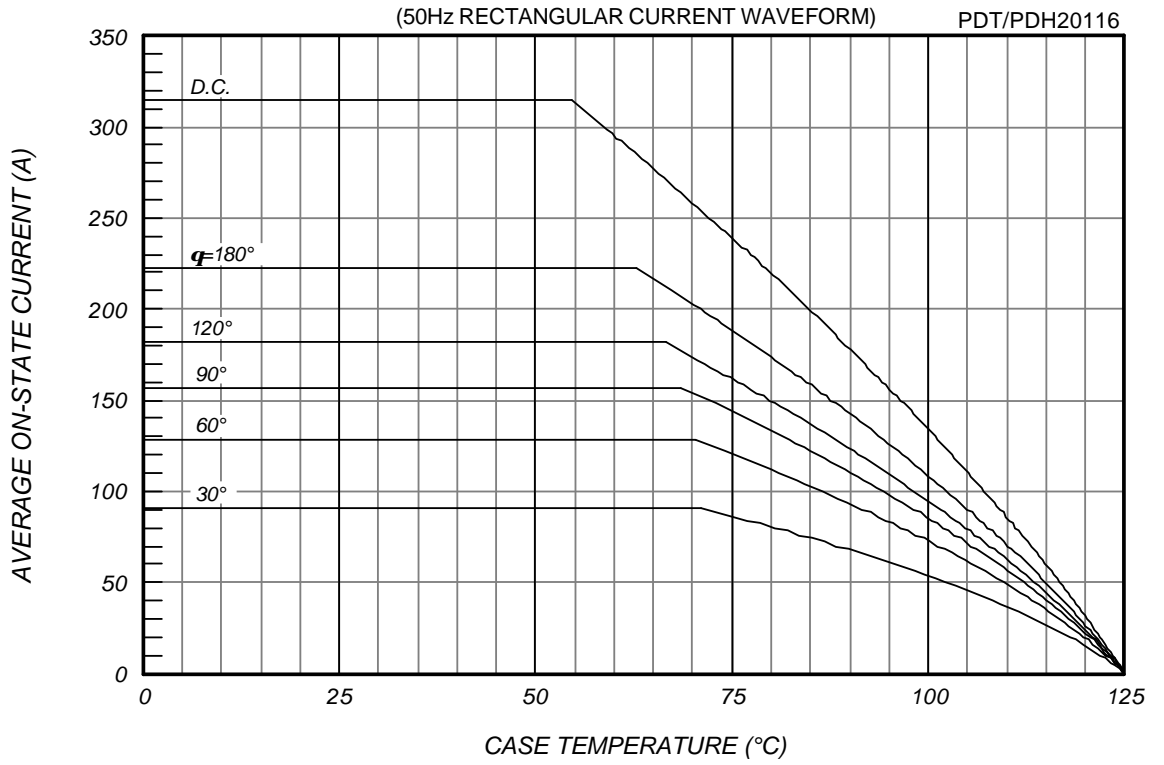
(50Hz SINUSOIDAL CURRENT WAVEFORM)

PDT/PDH20116

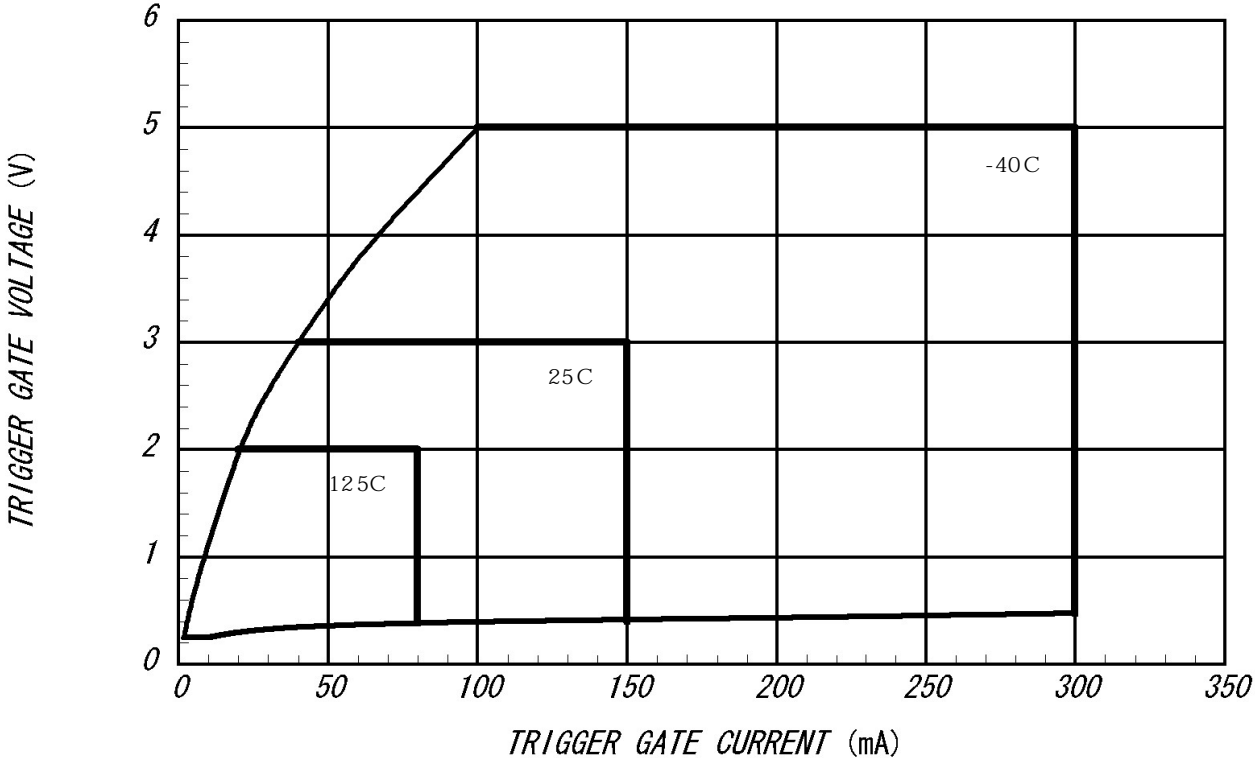




### AVERAGE ON-STATE CURRENT VS. CASE TEMPERATURE

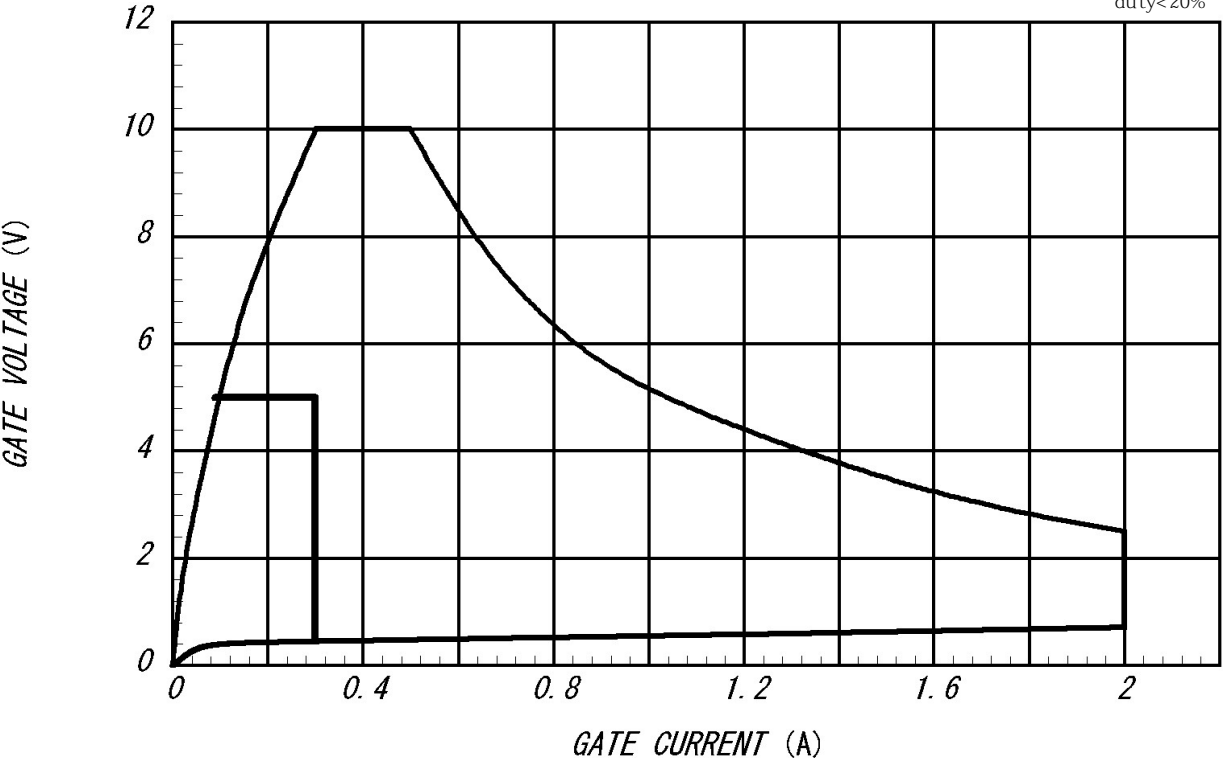


### GATE CHARACTERISTICS



### GATE RATINGS

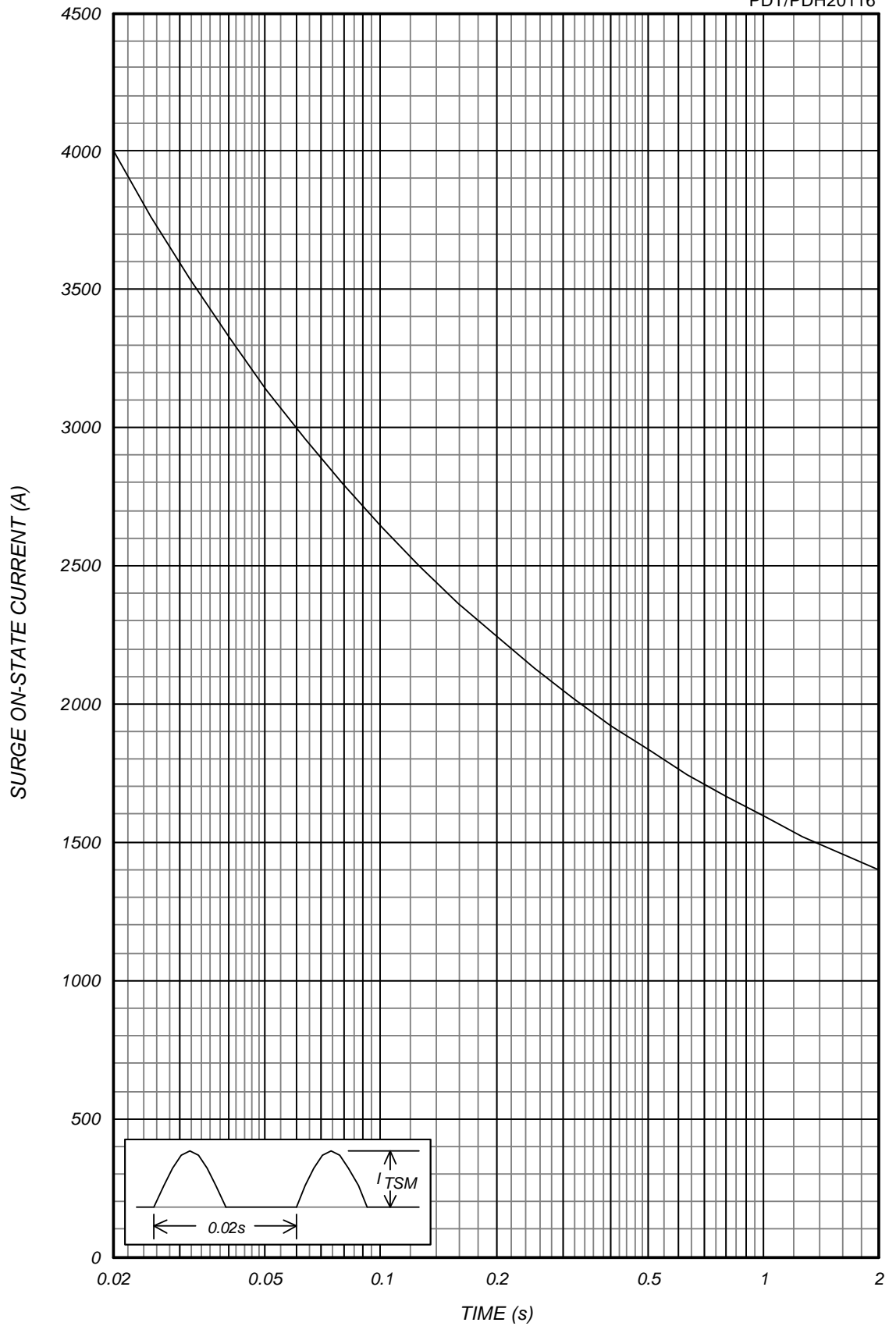
$P_{CM}=5W$   
 $f > 50Hz$   
 $duty < 20\%$



### SURGE CURRENT RATINGS

f=50Hz, Half Sine Wave, Non-Repetitive, Tj=125

PDT/PDH20116





*MAXIMUM TRANSIENT THERMAL IMPEDANCE*

Junction to Case

PDT/PDH20116

