

TOSHIBA Intelligent Power Module Silicon N Channel IGBT

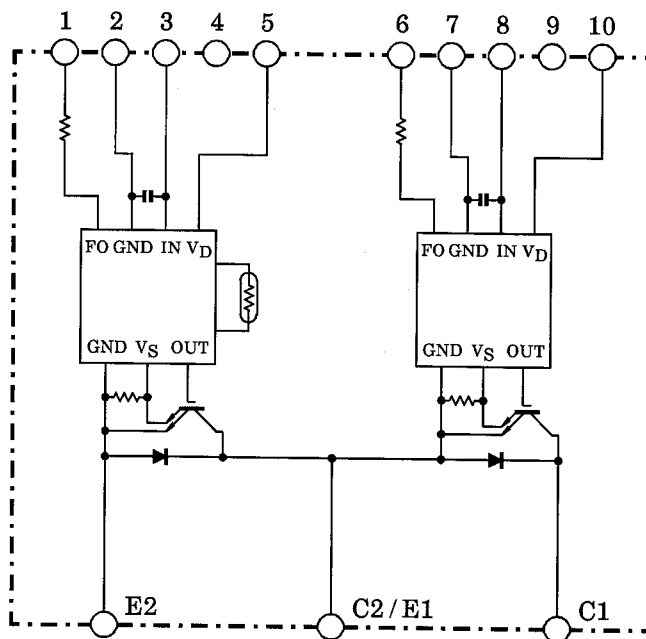
MIG150Q101H

High Power Switching Applications

Motor Control Applications

- Integrates inverter power & control circuits (IGBT drive units, protection units for over-current, under-voltage & over-temperature) in one package.
- The electrodes are isolated from case.
- High speed type IGBT : $V_{CE(sat)} = 3.5 \text{ V (Max.)}$
 $t_{off} = 3.8 \mu\text{s (Max.)}$
 $t_{rr} = 0.24 \mu\text{s (Max.)}$
- Package Dimensions : TOSHIBA 2-121A1A
- Weight : 510 g

Equivalent Circuit



- | | | | | |
|-----------|------------|-----------|---------|---------------|
| 1. FO (L) | 2. GND (L) | 3. IN (L) | 4. Open | 5. V_D (L) |
| 6. FO (H) | 7. GND (H) | 8. IN (H) | 9. Open | 10. V_D (H) |

Maximum Ratings ($T_j = 25^\circ\text{C}$)

Stage	Characteristic	Condition	Symbol	Ratings	Unit
Inverter	Supply voltage	P-N power terminal	V_{CC}	900	V
	Collector-emitter voltage	—	V_{CES}	1200	V
	Collector current	$T_c = 25^\circ\text{C}$, DC	I_C	150	A
	Forward current	$T_c = 25^\circ\text{C}$, DC	I_F	150	A
	Collector power dissipation	$T_c = 25^\circ\text{C}$	P_C	1200	W
	Junction temperature	—	T_j	150	$^\circ\text{C}$
Control	Control supply voltage	V_D -GND terminal	V_D	20	V
	Input voltage	IN-GND terminal	V_{IN}	20	V
	Fault output voltage	FO-GND (L) terminal	V_{FO}	20	V
	Fault output current	FO sink current	I_{FO}	14	mA
Module	Operating temperature	—	T_C	-20 ~ +100	$^\circ\text{C}$
	Storage temperature range	—	T_{stg}	-40 ~ +125	$^\circ\text{C}$
	Isolation voltage	AC 1 minute	V_{ISO}	2500	V
	Screw torque	M6	—	3	N·m

Electrical Characteristics ($T_j = 25^\circ\text{C}$)

a. Inverter Stage

Characteristic	Symbol	Test Condition	Min	Typ.	Max	Unit	
Collector cut-off current	I_{CE}	$V_{CE} = 1200\text{ V}$	$T_j = 25^\circ\text{C}$	—	—	2	mA
			$T_j = 125^\circ\text{C}$	—	—	40	
Collector-emitter saturation voltage	$V_{CE(sat)}$	$V_D = 15\text{ V}$, $I_C = 150\text{ A}$ $V_{IN} = 3\text{ V} \rightarrow 0\text{ V}$	$T_j = 25^\circ\text{C}$	—	2.7	3.5	V
			$T_j = 125^\circ\text{C}$	—	2.6	—	
Forward voltage	V_F	$I_F = 150\text{ A}$	—	2.0	2.5	V	
Switching time	t_{on}	$V_{CC} = 600\text{ V}$, $I_C = 150\text{ A}$ $V_D = 15\text{ V}$, $V_{IN} = 3\text{ V} \leftrightarrow 0\text{ V}$ Inductive load (Attached 1)	0.8	1.5	2.2	μs	
	$t_{c(on)}$		—	0.5	1.0		
	t_{rr}		—	0.16	0.24		
	t_{off}		—	3.3	3.8		
	$t_{c(off)}$		—	0.4	0.8		

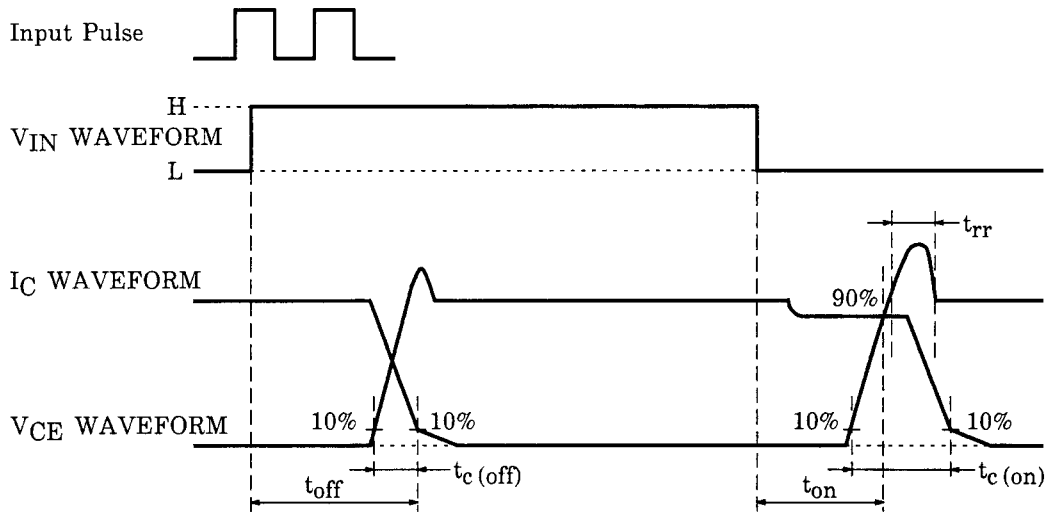
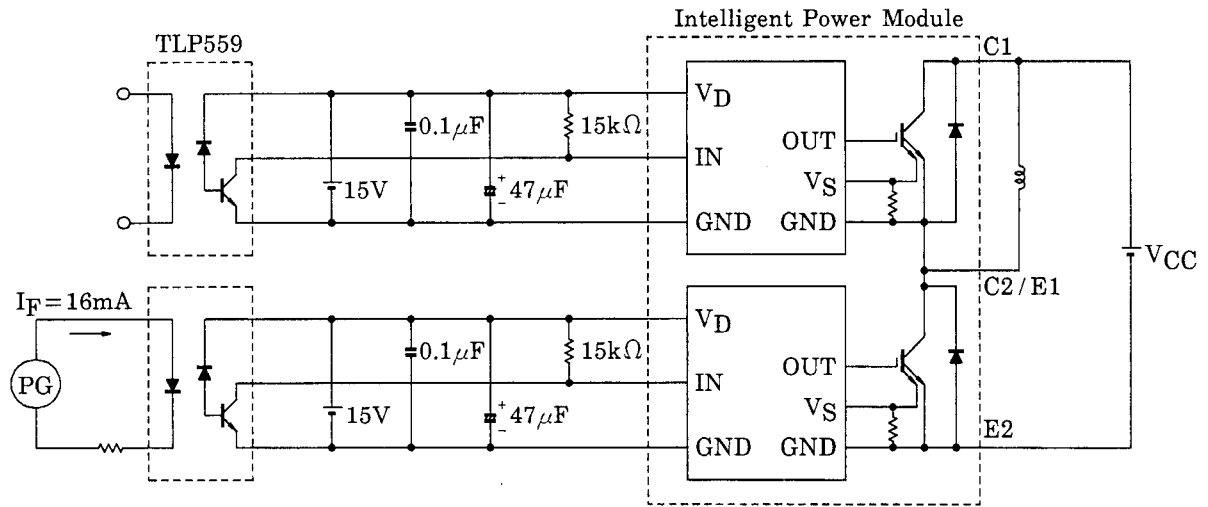
b. Control Stage ($T_j = 25^\circ\text{C}$)

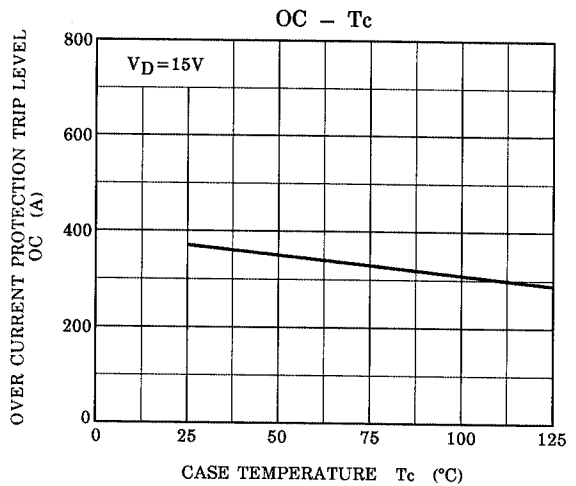
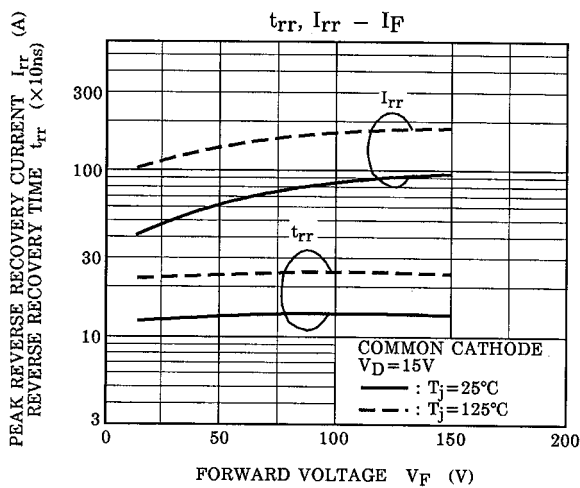
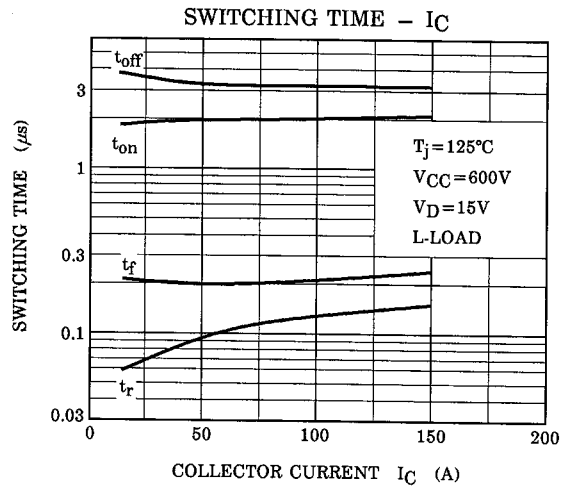
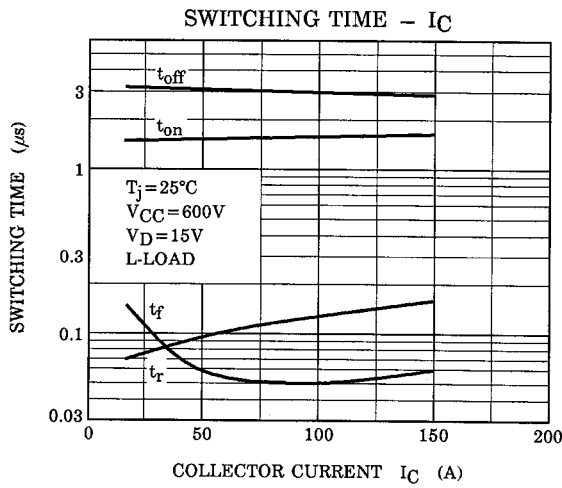
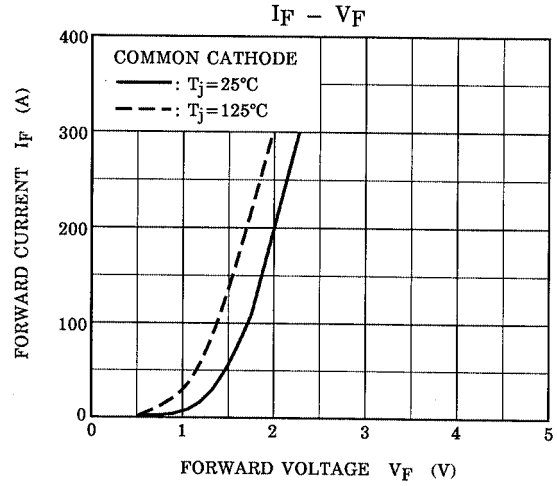
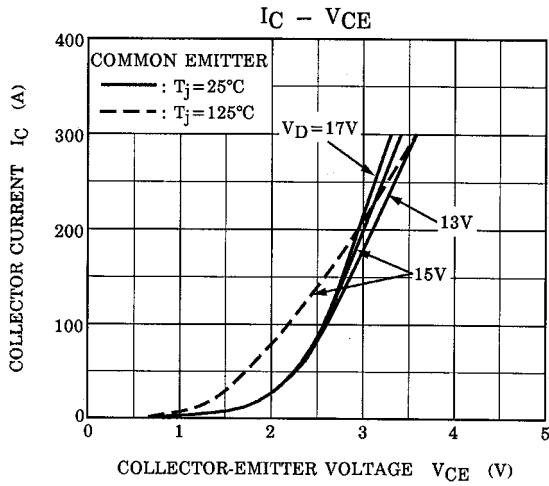
Characteristic		Symbol	Test Condition	Min	Typ.	Max	Unit
Control circuit current		I_D	$V_D = 15\text{ V}$	—	20	30	mA
Input-on signal voltage		$V_{IN (on)}$	$V_D = 15\text{ V}, I_C = 150\text{ mA}$	0.9	1.1	1.3	V
Fault output current	Protection	$I_{FO (on)}$	$V_D = 15\text{ V}$	8	10	12	mA
	Normal	$I_{FO (off)}$		—	—	1	
Over current protection trip level		OC	$V_D = 15\text{ V}, T_j = 125^\circ\text{C}$	210	300	—	A
Short current protection trip level		SC	$V_D = 15\text{ V}, T_j = 125^\circ\text{C}$	315	450	—	A
Over current cut-off time		$t_{off (OC)}$	$V_D = 15\text{ V}$	—	10	—	μs
Over temperature protection	Trip level	OT	Case temperature	111	118	125	$^\circ\text{C}$
	Reset level	OTr		93	100	107	
Control supply under voltage protection	Trip level	UV	—	11.3	12.0	12.7	V
	Reset level	UVr		11.8	12.5	13.2	
Fault output pulse width		t_{FO}	$V_D = 15\text{ V}$	1	2	3	ms

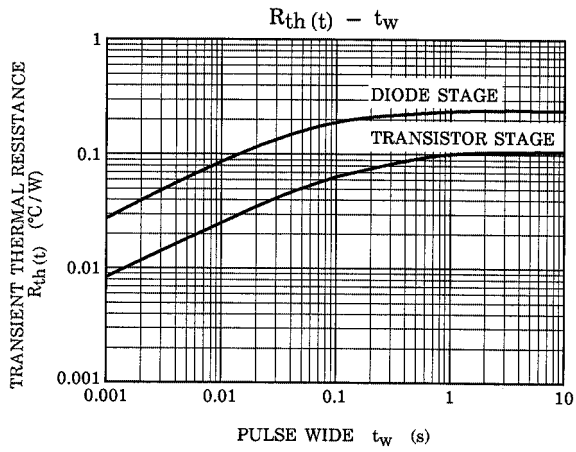
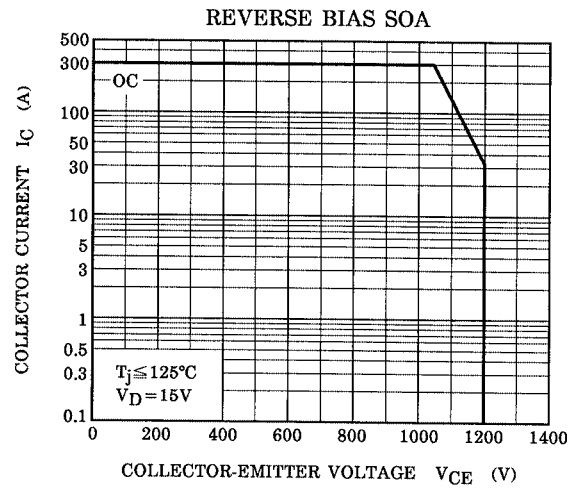
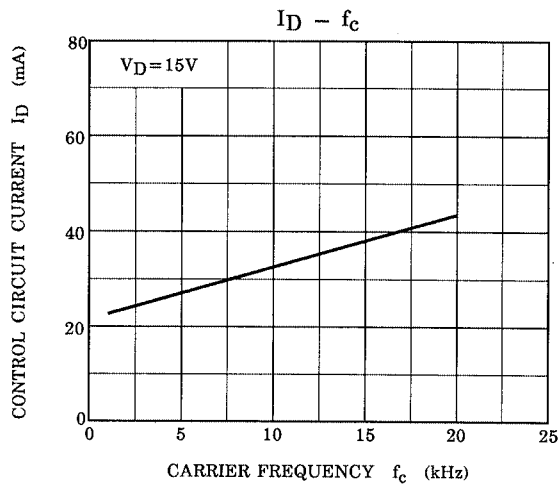
c. Thermal Resistance ($T_j = 25^\circ\text{C}$)

Characteristic	Symbol	Test Condition	Min	Typ.	Max	Unit
Junction to case thermal resistance	$R_{th (j-c)}$	IGBT	—	—	0.104	$^\circ\text{C} / \text{W}$
		FRD	—	—	0.25	
Case to fin thermal resistance	$R_{th (c-f)}$	Compound is applied	—	0.05	—	$^\circ\text{C} / \text{W}$

Note 1: Switching time test circuit & timing chart

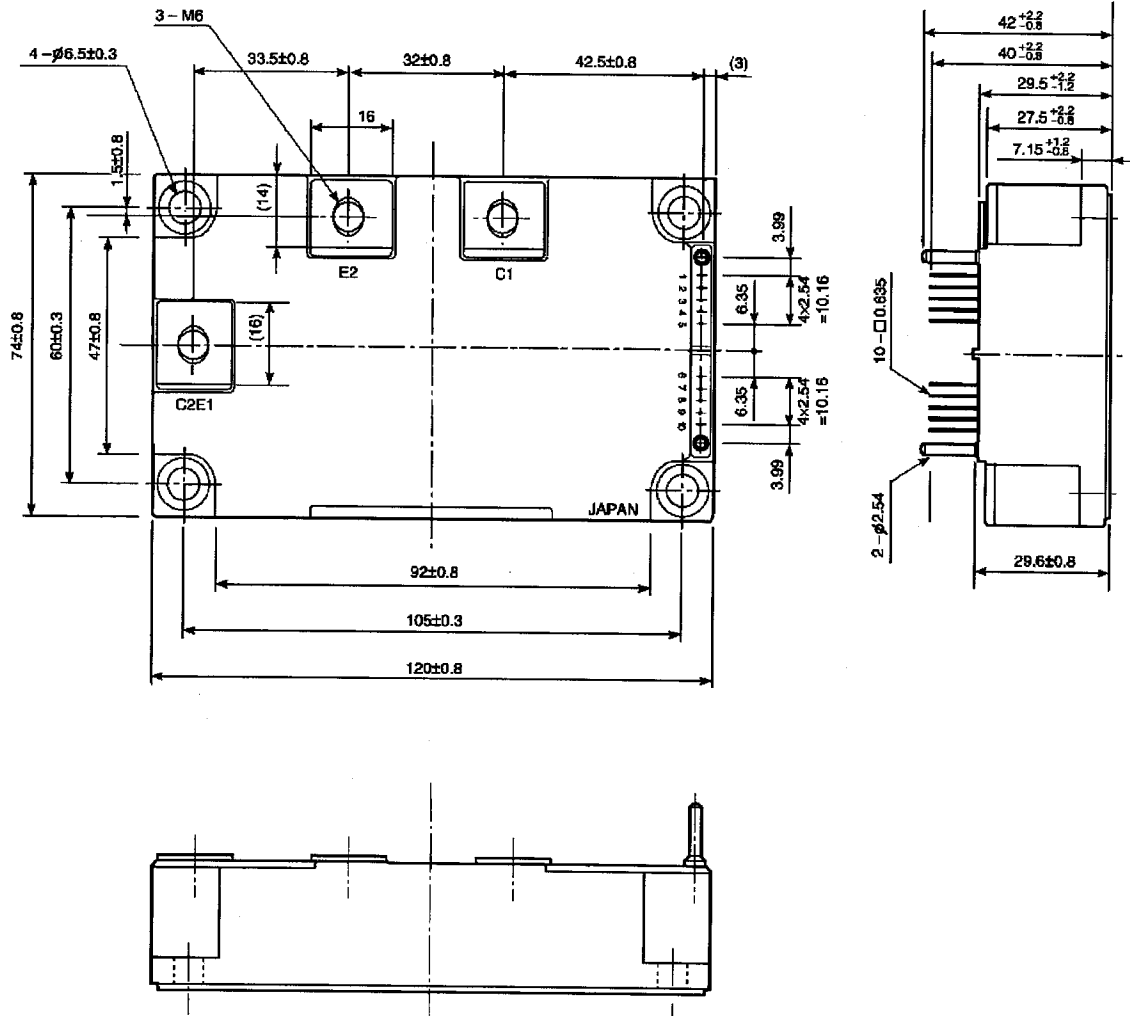






Package Dimensions: TOSHIBA 2-121A1A

Unit: mm



- | | | | | |
|-----------|------------|-----------|---------|------------------------|
| 1. FO (L) | 2. GND (L) | 3. IN (L) | 4. Open | 5. V _D (L) |
| 6. FO (H) | 7. GND (H) | 8. IN (H) | 9. Open | 10. V _D (H) |

RESTRICTIONS ON PRODUCT USE

000707EAA

- TOSHIBA is continually working to improve the quality and reliability of its products. Nevertheless, semiconductor devices in general can malfunction or fail due to their inherent electrical sensitivity and vulnerability to physical stress. It is the responsibility of the buyer, when utilizing TOSHIBA products, to comply with the standards of safety in making a safe design for the entire system, and to avoid situations in which a malfunction or failure of such TOSHIBA products could cause loss of human life, bodily injury or damage to property.
In developing your designs, please ensure that TOSHIBA products are used within specified operating ranges as set forth in the most recent TOSHIBA products specifications. Also, please keep in mind the precautions and conditions set forth in the "Handling Guide for Semiconductor Devices," or "TOSHIBA Semiconductor Reliability Handbook" etc..
- The TOSHIBA products listed in this document are intended for usage in general electronics applications (computer, personal equipment, office equipment, measuring equipment, industrial robotics, domestic appliances, etc.). These TOSHIBA products are neither intended nor warranted for usage in equipment that requires extraordinarily high quality and/or reliability or a malfunction or failure of which may cause loss of human life or bodily injury ("Unintended Usage"). Unintended Usage include atomic energy control instruments, airplane or spaceship instruments, transportation instruments, traffic signal instruments, combustion control instruments, medical instruments, all types of safety devices, etc.. Unintended Usage of TOSHIBA products listed in this document shall be made at the customer's own risk.
- The information contained herein is presented only as a guide for the applications of our products. No responsibility is assumed by TOSHIBA CORPORATION for any infringements of intellectual property or other rights of the third parties which may result from its use. No license is granted by implication or otherwise under any intellectual property or other rights of TOSHIBA CORPORATION or others.
- The information contained herein is subject to change without notice.

This datasheet has been download from:

www.datasheetcatalog.com

Datasheets for electronics components.