

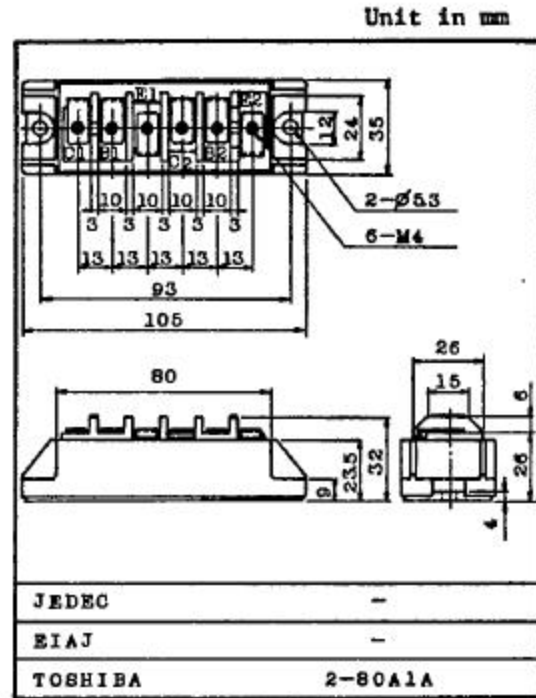
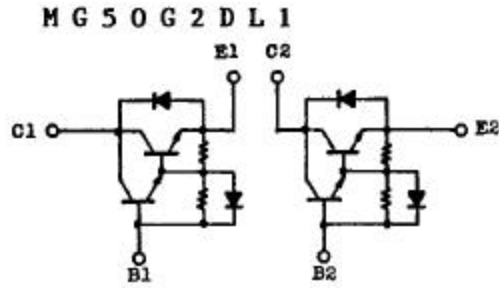
9097250 TOSHIBA (DISCRETE/OPTO)

90D 16231 DT-33-35

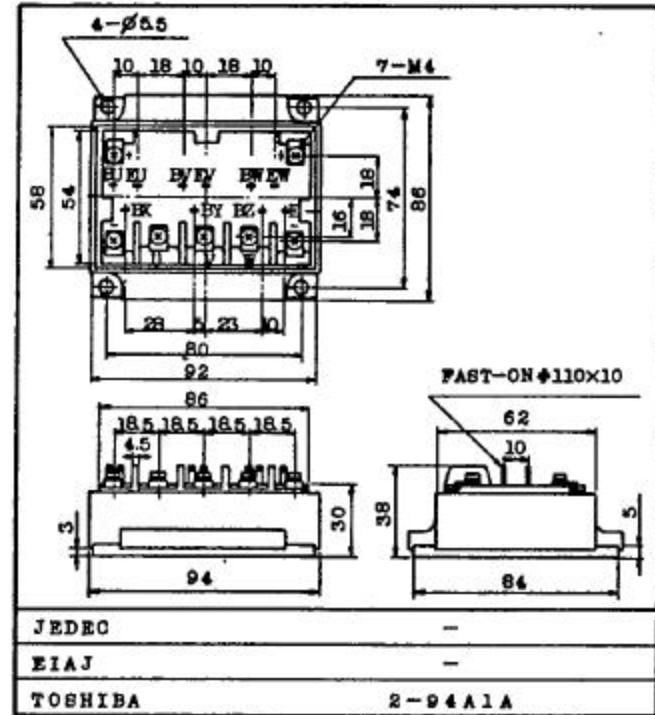
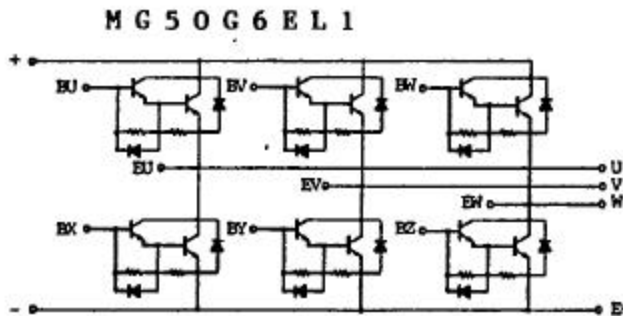


SEMICONDUCTOR
TECHNICAL DATA

- MG50G1BL3
- MG50G1JL1
- MG50G2CL3
- MG50G2DL1
- MG50G6EL1



Weight : 245g



Weight : 600g

TOSHIBA CORPORATION

GT1A2A