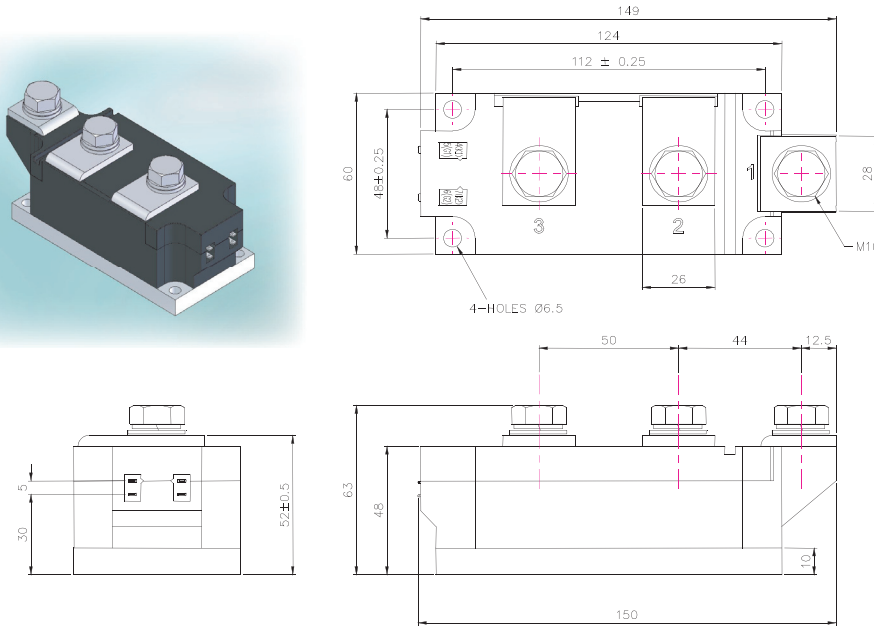


Thyristor / Diode Modules

Available in 3 configurations - voltage grades 1200-1800V

October 2007 Issue 1

Features and Benefits



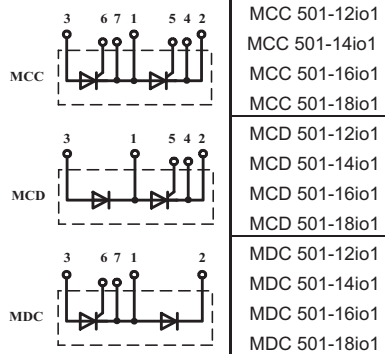
- New bus bar design retaining standard connection footprint
- Electrically isolated base plate
- Industry standard package
- UL recognition
- Simplifies mechanical design, rapid assembly
- Full pressure contact construction

Applications

Configuration & Part Numbers

Typical applications include;

- Soft-starts
- Industrial Drives
- Wind Power Converters
- Electrochemical Power Supplies
- Welding



*Coming soon!
4th configuration
Double Diode Modules*



Certificate No. FM 26085

Westcode Semiconductors Limited's BS EN ISO 9001 Quality System is registered by BSI.

Contact us:

WESTCODE

An IXYS Company

Westcode Semiconductors Ltd

Langley Park Way
Chippenham SN15 1GE
United Kingdom

Tel: +44 (0)1249 444524

Fax: +44 (0)1249 659448

Email: wsl.sales@westcode.com

We are supported by a global network of local offices, representatives and distributors. Please visit our websites for further information.

IXYS

IXYS Semiconductors GmbH

Edisonstr. 15
D-68623 Lambertheim
Germany

Tel: +49 (0) 6206 503-0

Fax: +49 (0) 6206 503627

Email: marcom@ixys.de