

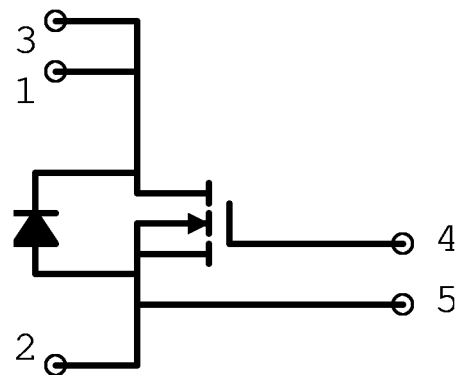
Description:

Powerex Single MOS Module features low 61.4 mohm $r_{ds(on)}$ is specially designed for customer applications.

Features:

- Same Configuration as JS225010
- Isolated Mounting
- Low Drive Requirement
- Internal Series Gate Resistors
- Isolation Material - Active Metal AlN
- Reduced Thermal Impedance
- Baseplate Material - Molybdenum (or Similar)
- Improved Cycling Capability through TCE matched construction..

Schematic:



Dim	Inches Min.	Inches Max	Millimeters Min	Millimeters Max	Dim	Inches Min.	Inches Max	Millimeters Min	Millimeter Max
A	3.681	3.721	93.50	94.51	K	0.61	0.65	15.49	16.51
B	3.145	3.155	79.88	80.14	L	0.502	0.522	12.75	13.26
C	1.329	1.349	33.76	34.26	M	0.46	0.48	11.68	12.19
D	1.28	1.32	32.51	33.53	N	0.403	0.423	10.24	10.74
E	1.161	1.201	29.49	30.51	P	0.305	0.325	7.75	8.26
F	0.940	0.95	23.88	24.13	Q	0.251	0.261	6.38	6.63
G	0.901	0.911	22.88	23.14	S	---	---	M6 x 0.8	M6 x 0.8

Electrical Characteristics

Symbol	Parameter	Min	Typ.	Max.	Units
V(br)dss	Drain Source Breakdown Voltage Vgs=0 Id=6mA			600	V
V(br)gss	Gate Source Breakdown Voltage Vds=0 Ig=600uA			30	V
Igss	Gate Leakage Current Vgs=25 Vds=0			70	uA
Idss	Drain Current Vds=600V Vgs=0			7	mA
Vgs(th)	Gate Source Threshold Voltage Id=6mA Vds=Vgs	2	3	4	V
rds(on)	Drain Source On State Resistance		47.1	61.4	mOhm
Vsd	Source Drain Voltage Vgs=0 Is=70A		1.5	2.0	V
Ciss	Input Capacitance Vds=25V Vgs=0 f=1Mhz		19600		pF
Coss	Output Capacitance Vds=25V Vgs=0 f=1Mhz		2450		pF
Crss	Reverse Transfer Capacitance Vds=25V Vgs=0 f=1Mhz		350		pF
Rth(j-c)	Thermal Impedance Junction to case		0.057		C/W
	Quantity of Die (FS20SM-12)		7		
Vrms	V Isolation			2000	V
	Module weight		500		g
	Mounting torque M6 Mounting screw			6	Nm
	Terminal torque, M6 Terminal Screw			6	Nm