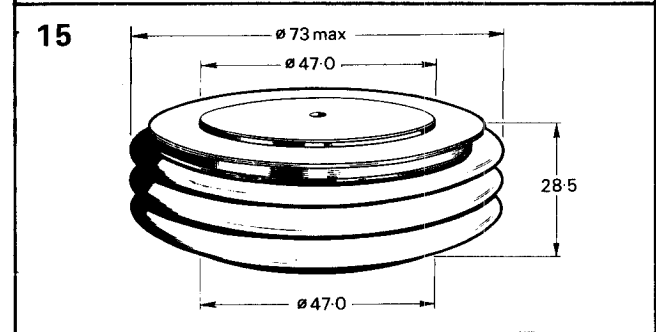
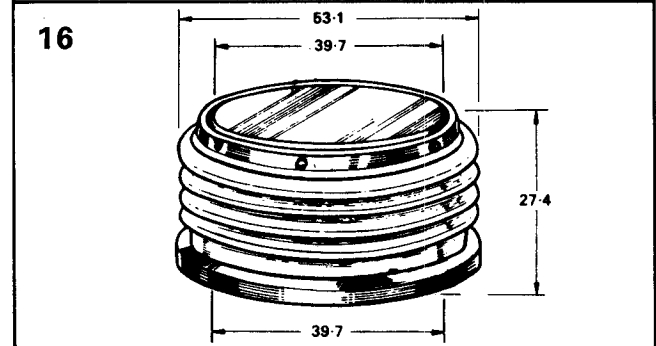
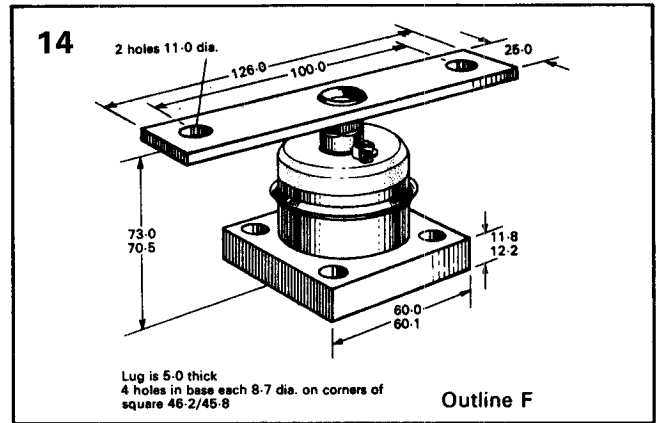


$I_{F(AV)55^{\circ}C}$ 1030 A	$I_{FSM}$ 12 kA	$I^2t$ 720 kA <sup>2</sup> sec	Outline 16
Type No.		$V_{RSM}$	$V_{RRM}$
DS1107SM24		2800	2400
DS1107SM25		2900	2500
DS1107SM26		3000	2600
DS1107SM27		3100	2700
DS1107SM28		3200	2800
DS1107SM29		3300	2900
DS1107SM30		3400	3000
DS1107SM31		3500	3100
DS1107SM32		3600	3200
DS1107SM33		3700	3300
DS1107SM34		3800	3400
DS1107SM35		3900	3500
DS1107SM36		4000	3600

$I_{F(AV)55^{\circ}C}$ 2050 A	$I_{FSM}$ 25 kA	$I^2t$ 3120 kA <sup>2</sup> sec	Outline 16
Type No.		$V_{RSM}$	$V_{RRM}$
DS1101SM01		150	100
DS1101SM02		300	200
DS1101SM03		400	300
DS1101SM04		500	400
DS1101SM05		600	500
DS1101SM06		700	600
DS1101SM07		850	700
DS1101SM08		1000	800
DS1101SM09		1100	900
DS1101SM10		1200	1000



## Fast High Power 'Button' Diode

$t_{rr}$  (typ) 3.8 $\mu$ S  $I_F=500A$   $di/dt=100A/\mu$ S

$I_{F(AV)55^{\circ}C}$ 600A	$I_{FSM}$ 6400 A	$I^2t$ 205 kA <sup>2</sup> sec	Outline 16
Type No.		$V_{RSM}$	$V_{RRM}$
DSF912SM01		150	100
DSF912SM02		300	200
DSF912SM03		400	300
DSF912SM04		500	400
DSF912SM05		600	500
DSF912SM06		700	600
DSF912SM07		850	700
DSF912SM08		1000	800
DSF912SM09		1100	900
DSF912SM10		1200	1000
DSF912SM11		1350	1100
DSF912SM12		1500	1200
DSF912SM13		1600	1300
DSF912SM14		1700	1400
DSF912SM15		1800	1500
DSF912SM16		1900	1600
DSF912SM17		2000	1700
DSF912SM18		2100	1800
DSF912SM19		2250	1900
DSF912SM20		2400	2000
DSF912SM21		2500	2100
DSF912SM22		2600	2200
DSF912SM23		2700	2300
DSF912SM24		2800	2400
DSF912SM25		2900	2500
DSF912SM26		3000	2600

## Fast High Power 'Flat Base' Diode

$t_{rr}$  (typ) 3.8 $\mu$ S  $I_F=500A$   $di/dt=100A/\mu$ S

$I_{F(AV)100^{\circ}C}$ 335 A	$I_{FSM}$ 6400 A	$I^2t$ 205 kA <sup>2</sup> sec	Outline 14
Type No.		$V_{RSM}$	$V_{RRM}$
SF962SFU01		150	100
SF962SFU02		300	200
SF962SFU03		400	300
SF962SFU04		500	400
SF962SFU05		600	500
SF962SFU06		700	600
SF962SFU07		850	700
SF962SFU08		1000	800
SF962SFU09		1100	900
SF962SFU10		1200	1000
SF962SFU11		1350	1100
SF962SFU12		1500	1200
SF962SFU13		1600	1300
SF962SFU14		1700	1400
SF962SFU15		1800	1500
SF962SFU16		1900	1600
SF962SFU17		2000	1700
SF962SFU18		2100	1800
SF962SFU19		2250	1900
SF962SFU20		2400	2000
SF962SFU21		2500	2100
SF962SFU22		2600	2200
SF962SFU23		2700	2300
SF962SFU24		2800	2400
SF962SFU25		2900	2500
SF962SFU26		3000	2600