

F1 IGBT Modules

Technical specifications

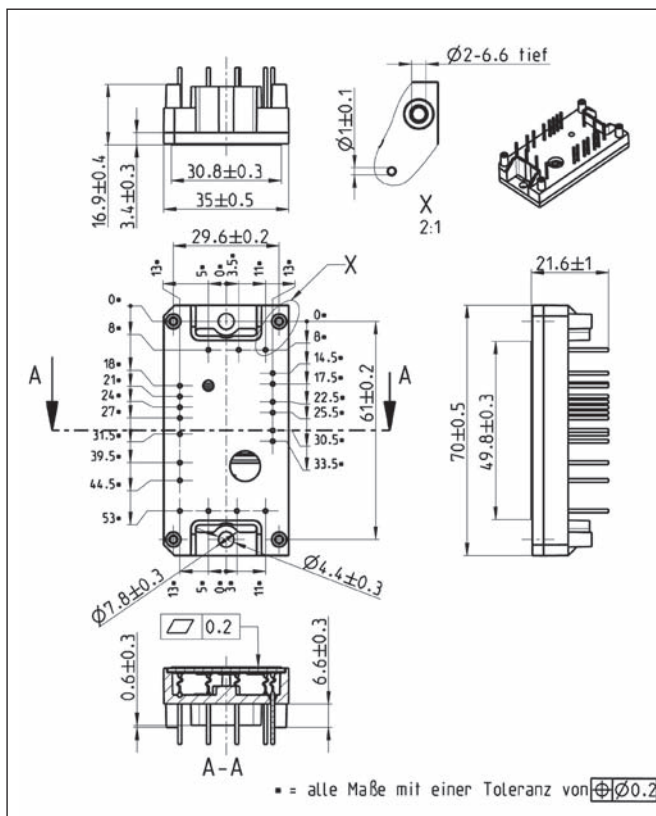
- Can be configured as:
 - 6- and 7-pack
 - Inverter, rectifier bridge (with and without brake)
 - Shunts and NTC on request
 - Customized configuration on request
- Dimensions:
 - Size: 35×70×22 mm
- Up to 480 V line voltage
- Up to 7.5 kW

F1 IGBT Modules

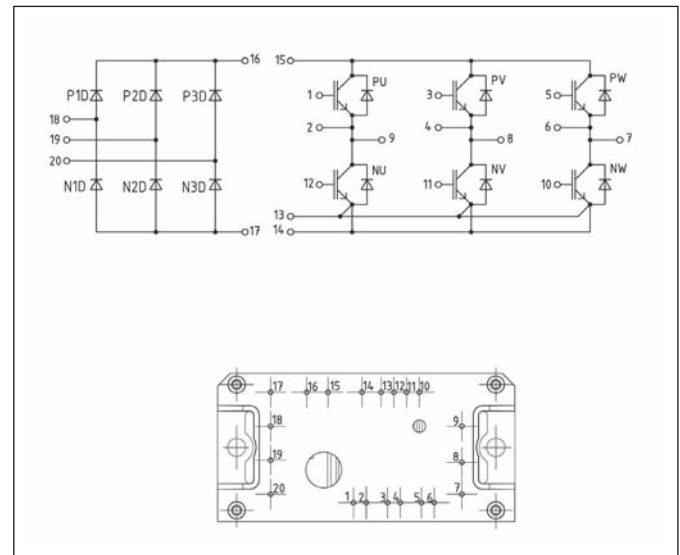
Collector Emitter Voltage V_{CE}	DC Collector Current I_C @ $T_C = 80^\circ C$	6-pack	7-pack	PIM no brake
600 V	10 A	DP10D600 * 1024xx	DP10E600 * 1024xx	DP10F600 * 1024xx
	15 A	DP15D600 * 1024xx	DP15E600 * 1024xx	DP15F600 * 1024xx
	20 A	DP20D600 * 1024xx	DP20E600 * 1024xx	DP20F600 * 1024xx
	30 A	DP30D600 * 1024xx	DP30E600 * 1024xx	DP30F600 * 1024xx
	50 A	DP50D600 * 1024xx	DP50E600 * 1024xx	-
1200 V	10 A	DP10D1200 * 1024xx	DP10E1200 * 1024xx	DP10F1200 * 1024xx
	15 A	DP15D1200 * 1024xx	DP15E1200 * 1024xx	DP15F1200 * 1024xx
	25 A	DP25D1200 * 1024xx	DP25E1200 * 1024xx	DP25F1200 * 1024xx
	35 A	DP35D1200 * 1024xx	DK35E1200 * 1024xx	-
	50 A	DP50D1200 * 1024xx	DP50E1200 * 1024xx	-

* Types under development. Custom circuits and configurations on request.

Outline

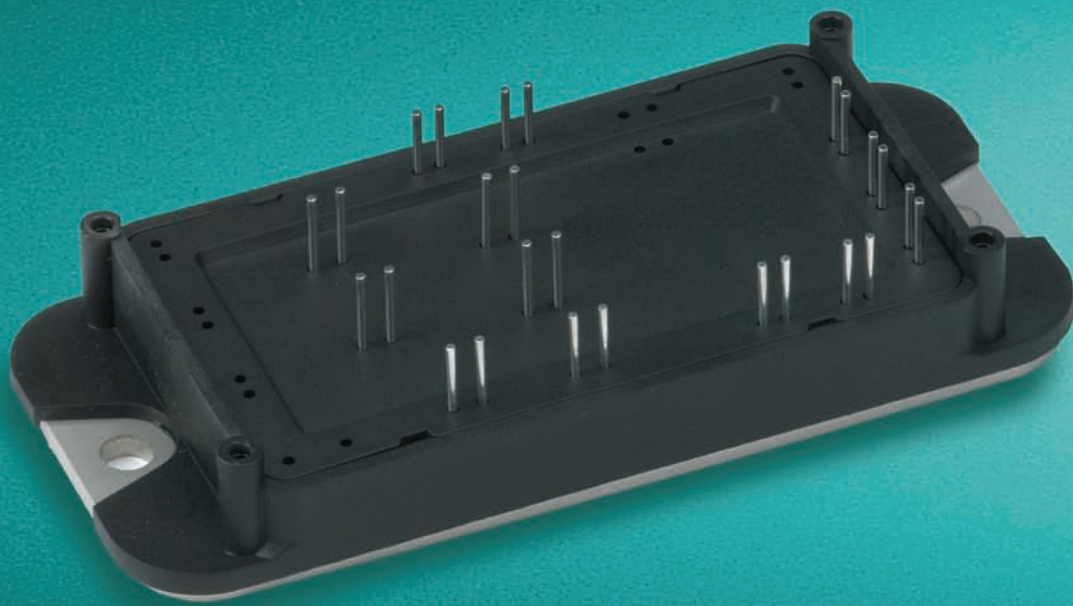


Circuit configuration



Danfoss Silicon Power GmbH • Heinrich-Hertz-Straße 2 • 24837 Schleswig • Germany
 Tel.: +49 4621 9512-0 • Fax: +49 4621 9512-310 • E-mail: dsp-info@danfoss.com • http://siliconpower.danfoss.com

Danfoss can accept no responsibility for possible errors in catalogues, brochures and other printed material. Danfoss reserves the right to alter its products without notice. This also applies to products already on order provided that such alterations can be made without consequential changes being necessary in specifications already agreed. All trademarks in this material are property of the respective companies. Danfoss and the Danfoss logotype are trademarks of Danfoss A/S. All rights reserved.



F2 IGBT Modules

Technical specifications

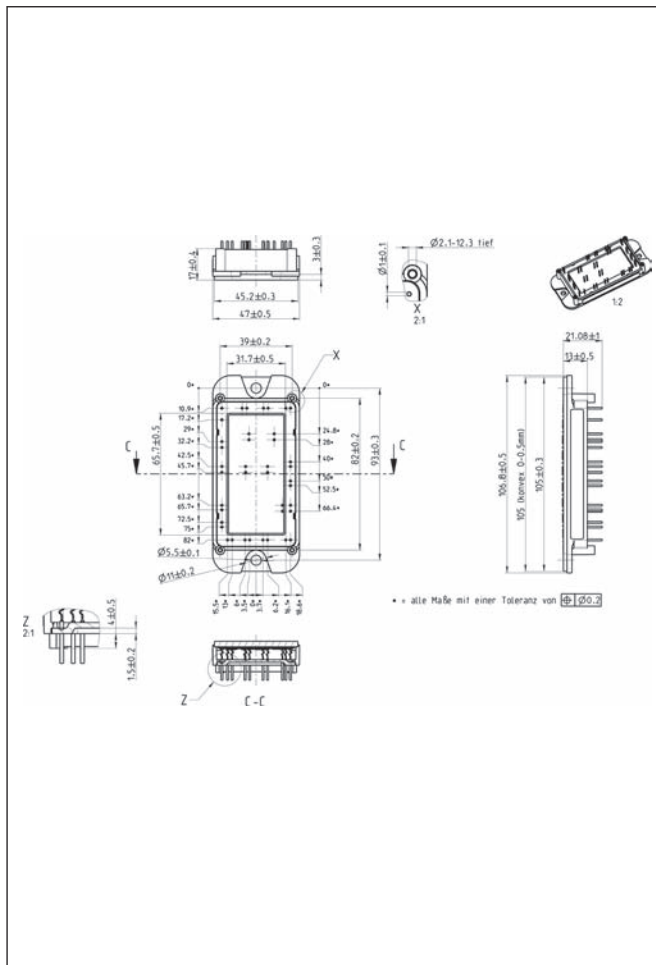
- Can be configured as:
 - 6- and 7-pack
 - Inverter, rectifier bridge (with and without brake)
 - Shunts and NTC on request
 - Customized configuration on request
- Dimensions:
 - Size: 47×107×22 mm
- Up to 690 V line voltage
- Up to 10 kW

F2 IGBT Modules

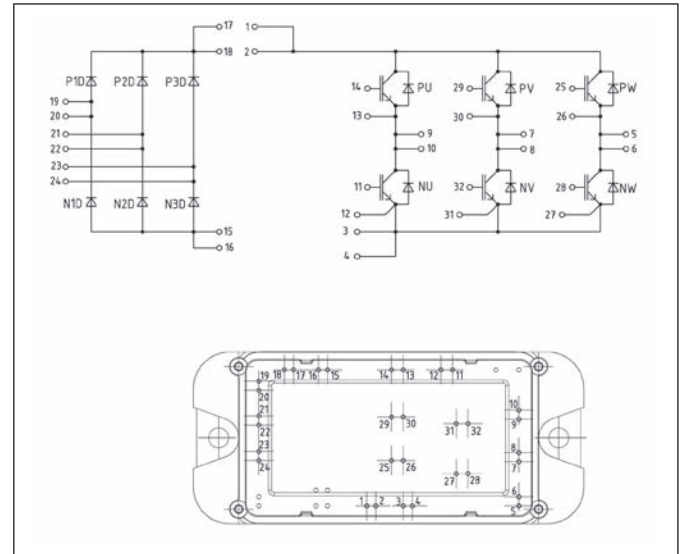
Collector Emitter Voltage V_{CE}	DC Collector Current I_C @ $T_C = 80^\circ\text{C}$	6-pack	7-pack	PIM no brake NTC	PIM with brake NTC
600 V	30 A	DP30D600T * 1025xx	DP30E600T * 1025xx	DP30F600T * 1025xx	DP30H600T * 1025xx
	50 A	DP50D600T * 1025xx	DP50E600T * 1025xx	DP50F600T * 1025xx	DP50H600T * 1025xx
	75 A	DP75D600T * 1025xx	DP75E600T * 1025xx	DP75F600T * 1025xx	-
1200 V	25 A	DP25D1200T * 1025xx	DP25E1200T * 1025xx	DP25F1200T * 1025xx	DP25H1200T * 1025xx
	35 A	DP35D1200T * 1025xx	DP35E1200T * 1025xx	DP35F1200T * 1025xx	DP35H1200T * 1025xx
	50 A	DP50D1200T * 1025xx	DP50E1200T * 1025xx	DP50F1200T * 1025xx	DP50H1200T * 1025xx
	75 A	DP75D1200T * 1025xx	DP75E1200T * 1025xx	DP75F1200T * 1025xx	-
1700 V		on request			

* Types under development. Custom circuits and configurations on request.

Outline



Circuit configuration



Danfoss Silicon Power GmbH • Heinrich-Hertz-Straße 2 • 24837 Schleswig • Germany
Tel.: +49 4621 9512-0 • Fax: +49 4621 9512-310 • E-mail: dsp-info@danfoss.com • http://siliconpower.danfoss.com

Danfoss can accept no responsibility for possible errors in catalogues, brochures and other printed material. Danfoss reserves the right to alter its products without notice. This also applies to products already on order provided that such alterations can be made without consequential changes being necessary in specifications already agreed. All trademarks in this material are property of the respective companies. Danfoss and the Danfoss logotype are trademarks of Danfoss A/S. All rights reserved.