

Fast Recovery Rectifiers

$I_{F(AV)}$ 50% Duty Cycle, Half Sine 1KHz (Amps)	I_{FSM} (Amps $\times 10^3$)		I^2t for Fusing @ 8.3 ms (A ² sec $\times 10^4$)	I_{RRM} @ V_{RRM} and $T_{J(Max)}$ (mA)	V_{RRM} Range (Volts)	V_{FM} @ $T_J=25^\circ C$		Chip Size (mm)	Junction Temp. Range ($^\circ C$)	$R_{\theta JC}$ ($^\circ C/W$)	$R_{\theta CS}$ Lubricated ($^\circ C/W$)
	50 Hz	60 Hz				I_{FM} (Amps)	V_{FM} (Volts)				
950 $T_c=65^\circ C$	20.5	21.5	250	75	500-1500	3000	1.8	40	-40 to 125	.04	.02
1000† $T_c=79^\circ C$	22.7	25	260	80	2500-2800	2500	1.9	38	-40 to 125	.025	—
1000 $T_c=80^\circ C$	10	11	50.4	50	400-1500	1500	1.65	33	-40 to 150	.035	.02
1200 $T_c=87^\circ C$	12.7	14	82	75	400-3500	1500	2.3	50	-40 to 150	.018	.0075
1275 $T_c=78^\circ C^\circ$	17.3	19	149	100	2000-2600	3000	2.35	50	-40 to 150	.024	.007
1500 $T_c=85^\circ C$	16.4	18	135	75	400-3500	1500	1.65	50	-40 to 150	.018	.0075

* = Frequency Not Specified

° = Tentative Specifications

† = Single Phase 60 Hz

Typical Reverse Recovery Time @ T _J =25°C			PACKAGE INFORMATION			
<i>I_{FM}</i> (Amps)	<i>di_R/dt</i> (A/μsec)	<i>t_{rr}</i> (μsec)	Max Mounting Force or Torque	STYLE	Outline	TYPE NO.
2000	25	3.5	<u>3500 lbs</u> 15.6 KN	Press Pak	DO-200AB	A447
1000	30	10	<u>7900 lbs</u> 35 KN	Press Pak	21 x 92 mm	°FD1000FH*
1500	25	2	<u>2400 lbs</u> 10.7 KN	Press Pak	R7S	R7S2__ 10
1500	25	3	<u>6000 lbs</u> 26.8 KN	Press Pak	R9G	R9G2__ 12
2000	100	3	<u>5500 lbs</u> 24.5 KN	Press Pak	DO-200AC	A452
1500	25	5	<u>6000 lbs</u> 26.8 KN	Press Pak	R9G	R9G2__ 15

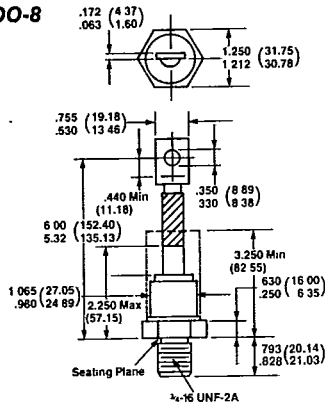


R9G

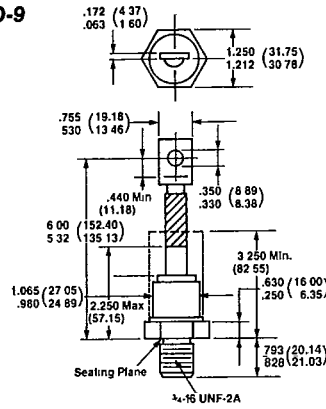


Fast Recovery Rectifiers Outline Drawings

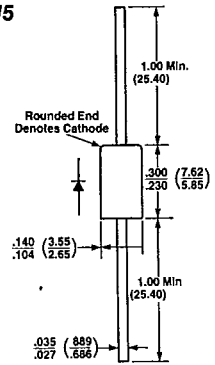
JEDEC DO-8



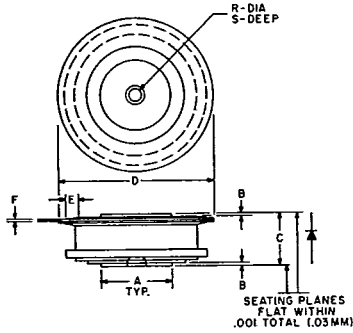
JEDEC DO-9



JEDEC DO-15

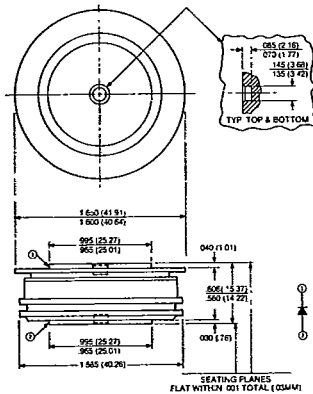


JEDEC DO-200AA (Type 1) (A397, A398, A399)



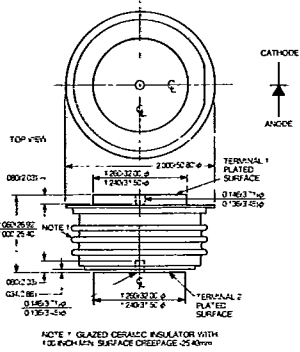
Dim	Inches		Millimeters	
	Min	Max	Min	Max
A	.744	.752	18.89	19.10
B	.030	.060	.76	1.52
C	.515	.565	13.08	14.35
D	1.600	1.656	40.64	41.9
E	.110	—	2.79	—
F	.031	.017	.33	.43
R	.135	.145	3.42	3.68
S	.067	.083	1.70	2.1

JEDEC DO-200AA (Type 2) (A337)



Dim	Inches		Millimeters	
	Min	Max	Min	Max
A	.985	.995	25.01	25.27
B	.135	.145	3.42	3.68
C	.560	.605	14.22	15.37
D ₁	.040	—	1.01	—
D ₂	.030	—	.76	—
E	1.600	1.650	40.64	41.91
F	.070	.085	1.77	2.16
G	—	1.585	—	40.26

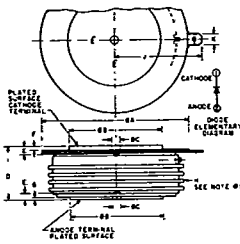
JEDEC DO-200AB



Dim	Inches		Millimeters	
	Min	Max	Min	Max
A	—	2.960	—	75.18
B	1.800	1.900	45.78	49.26
C	0.136	0.146	3.45	3.71
D	1.000	1.070	25.10	27.18
E	.070	.100	1.78	2.54
F	.030	—	0.76	—
G	.003	.067	0.13	1.70
H	—	—	—	—
J	1.630	1.710	42.67	43.43
K	.186	.189	4.72	4.80

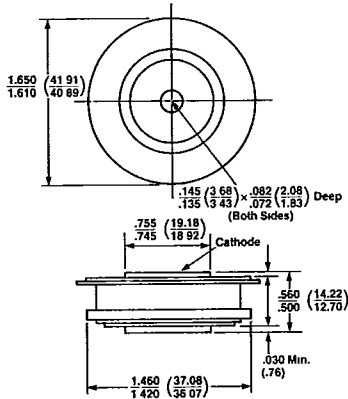
Note: Glazed ceramic insulator with 1.00-inch (25.40mm) surface creepage, minimum.

JEDEC DO-200AC

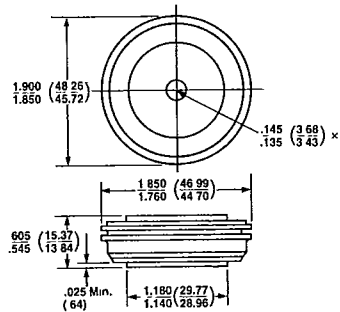


Dim	Inches		Millimeters	
	Min	Max	Min	Max
A	1.333	1.343	33.86	34.11
B	.135	.145	3.42	3.68
C	1.018	1.065	25.85	27.05
D	.030	.110	.76	—
E	2.240	2.330	56.89	58.42
F	.070	.090	3.55	4.06

R62

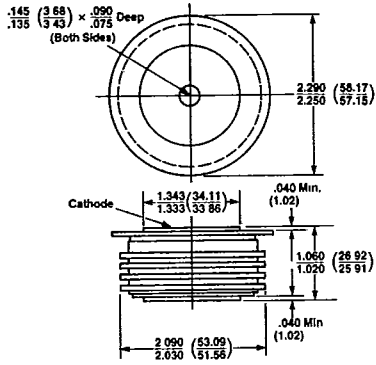


R7S

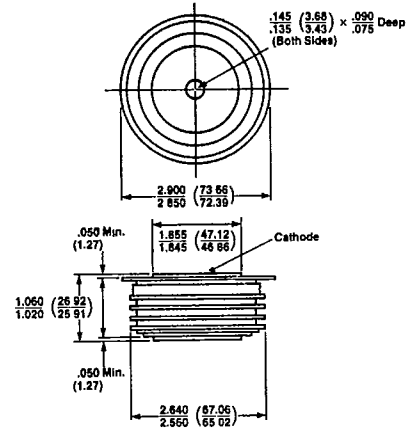


Fast Recovery Rectifiers Outline Drawings

R72



R9G



Press Pak—Consult Factory
 14.5mm × 43mm
 16mm × 85mm
 21mm × 92mm

Metric Stud—Consult Factory
 M12 × 1.5
 M20 × 1.5