

CONTROLLED AVALANCHE RECTIFIER

TOSHIBA (DISCRETE/OPTO)

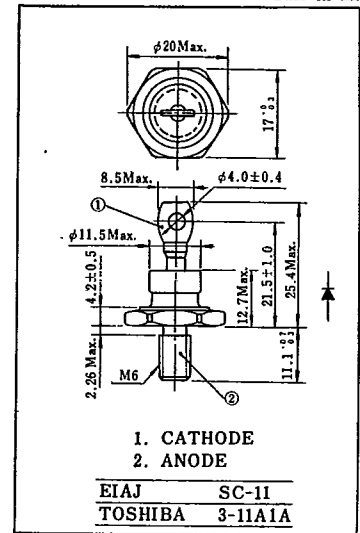
39 DE 9097250 0002249 J

Unit in mm

25QF11 1200V 25A

MAXIMUM RATINGS

CHARACTERISTIC		SYMBOL	RATING	UNIT
Repetitive Peak Reverse Voltage	25LF11	V _{RRM}	800	V
	25NF11		1000	
	25QF11		1200	
Peak Reverse Power Dissipation (t _w =10μs) T _a =25°C		P _{RSM}	12	kW
Average Forward Current (T _c =135°C)		I _{F(AV)}	25	A
Peak One Cycle Surge Forward Current (Non-Repetitive)		I _{FSM}	500(50Hz)	A
Junction Temperature		T _j	-40~175	°C
Storage Temperature Range		T _{stg}	-40~175	°C
Stud Torque			30	kgcm

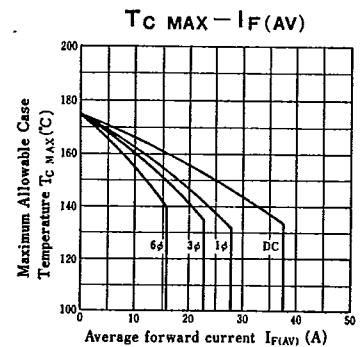


AC32 is furnished as an accessory.

ELECTRICAL CHARACTERISTICS

CHARACTERISTIC		SYMBOL	CONDITION	MIN.	MAX.	UNIT
Avalanche Break Breakdown Voltage	25LF11	V _Z	I _{RRM} =5mA, T _a =25°C	1000	1300	V
	25NF11			1250	1550	
	25QF11			1500	1900	
Peak Forward Voltage		V _{FM}	I _{FM} =100A, T _a =25°C	-	1.38	V
Repetitive Peak Reverse Current	25LF11	I _{RRM}	T _j =175°C V _{RRM} =Rated	-	3.0	mA
	25NF11			-	2.5	
	25QF11			-	2.0	
Thermal Resistance (Note 1)		R _{th(j-c)}	DC	-	1.0	°C/W

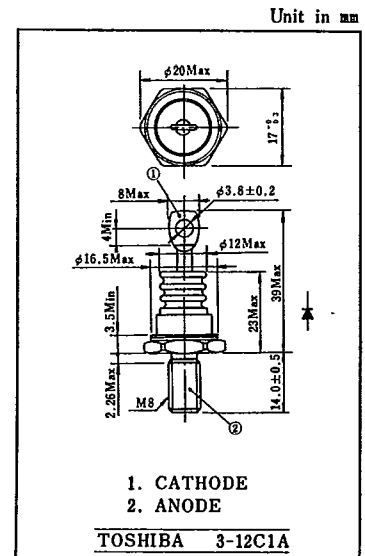
- Notes: 1. Junction to Case.
 2. At the series operation parallel capacitors(0.01μF) to the device are recommended to attach.
 3. Consider the heat radiation including reverse power dissipation.



25FXF12 3000V 25A

MAXIMUM RATINGS

CHARACTERISTIC		SYMBOL	RATING	UNIT
Repetitive Peak Reverse Voltage		V _{RRM}	3000	V
Peak Reverse Power Dissipation (t _w =10μs) T _a =25°C		P _{RSM}	8	kW
Average Forward Current (T _c =140°C)		I _{F(AV)}	25	A
Peak One Cycle Surge Forward Current (Non-Repetitive)		I _{FSM}	500(50Hz)	A
Junction Temperature		T _j	-40~175	°C
Storage Temperature Range		T _{stg}	-40~175	°C
Stud Torque			50	kgcm



AC56 is furnished as an accessory.

電気的特性

CHARACTERISTIC		SYMBOL	CONDITION	MIN.	MAX.	UNIT
Avalanche Break Breakdown Voltage		V _Z	I _{RRM} =5mA, T _a =25°C	3300	4200	V
Peak Forward Voltage		V _{FM}	I _{FM} =80A, T _a =25°C	-	1.70	V
Repetitive Peak Reverse Current		I _{RRM}	V _{RRM} =Rated, T _j =175°C	-	7.0	mA
Thermal Resistance (Note 1)		R _{th(j-c)}	DC	-	0.55	°C/W

- Notes: 1. Junction to Case.
 2. At the series operation parallel capacitors(0.01μF) to the device are recommended to attach.
 3. Consider the heat radiation including reverse power dissipation.

